

# GEBERIT FLUSHING SYSTEM

For 1.6/0.8 GPF (6/3 LPF) Floor-Mount, Back Outlet Toilets, 2x6 Installations

## PRODUCT SPECIFICATIONS

In-Wall Sigma concealed tank with actuator flush panel or pneumatic push button for washdown floor mounted toilet with rear water inlet. System shall fit within minimum 5½" (146 mm) framing wall or plumbing chase, with wood construction or steel framing members placed 19¾" (500 mm) apart. Water supply shall have flow diameter no smaller than 1½" (13 mm) copper tube, and a minimum flow pressure of 2 PSI (0.01 MPa). The toilet bowl shall be a third party listed low-consumption 1.6 GPF (6 LPF) or 1.6/0.8 GPF (6/3 LPF) dual-flush floor mounted toilet with rear water inlet type. All components shall be compliant with applicable codes and product standards.

## FEATURES


- Water consumption – Dual-flush system allows 1.6/0.8 GPF (6/3 LPF), giving effective flush volume of 1.1 GPF (4 LPF)
- Anti-siphon fill valve
- Impact resistant high density polyethylene (HDPE) tank, insulated to prevent condensation
- Bowl rim height depends on ceramic chosen. See manufacturer for details.
- For finished walls up to 3½" (9cm) thick
- For use with Geberit Sigma actuator plates (not included)
- Includes installation and rough-in materials

Complies with the latest editions of:


- ASME: A112.19.5, A112.19.14
- ANSI Z124.4
- CSA B125.3
- ANSI/ASSE 1002
- IAPMO PS-50
- UNAR / UNAR-HET
- ASME A112.19.2
- This concealed tank is WaterSense® listed or compliant when used in combination with the toilet bowl models listed on page 2 of this DOCUMENT.
- State of Massachusetts listed

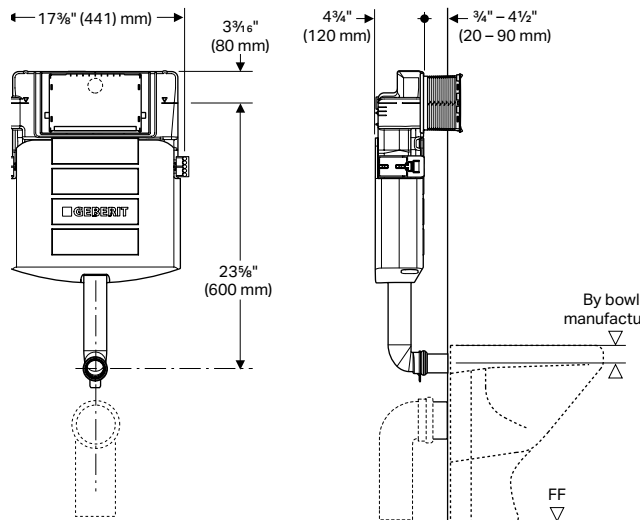
## WARRANTY

Limited lifetime warranty on tank and carrier, 10-year warranty on fill valve.

Products marked with  comply with the American Disabilities Act (ADA) when installed per the requirements of the latest ADA Accessibility Guidelines (ADAAG) and/or ICC/ANSI A117.1.

Where water closet grab bars are required and corresponding reinforcement provided as outlined in the latest NYC Building Code and Federal FHA Guidelines, the installed product complies both for grab bars installed at the time of initial construction as well as for grab bars planned for future installation.

Model No.	Description
109.304.00.5	Geberit Sigma Concealed Tank (UP320) 



**ARCHITECT/ENGINEER APPROVAL**

Job Name: \_\_\_\_\_

Date: \_\_\_\_\_ Quantity: \_\_\_\_\_

Model Specified: \_\_\_\_\_

Variations Specified: \_\_\_\_\_

Customer/Wholesaler: \_\_\_\_\_

Contractor: \_\_\_\_\_

Architect: \_\_\_\_\_

# GEBERIT FLUSHING SYSTEM

For 1.6/0.8 GPF (6/3 LPF) Floor-Mount, Back Outlet Toilets, 2x6 Installations

## COMPATIBLE 1.6/0.8 GPF (6/3 LPF) FLOOR MOUNT TOILET BOWL MODELS

Brand Name	Model Number*	Model Name
Devon & Devon	IBWCBLUESBTW	Blues
	IBWCCLN	Classica
	IBWCETBTW	Etoile
	2IBWCBETBTW	Etoile
	IBWCNETBTW	New Etoile
	2IBWCBNETBTW	New Etoile
	IBWCROSEBTW	Rose
	IBWCWBTW	Westminster
	2IBWCBWBTW	Westminster
	Duravit	211709
212809		Starck 2
215859		Starck 3 (monolith)
213909		Darling New
215809		Darling New
216909		ME by Starck
216959		ME by Starck
216609		P3 Comforts
216659		P3 Comforts
Laufen	8.2333.8	Kartell
	8.2295.1**	Laufen pro
Villeroy & Boch	6607U1	Subway

## WATERSENSE EPA HIGH EFFICIENCY COMPATIBLE 1.6/0.8 GPF (6/3 LPF) FLOOR MOUNT TOILET BOWL MODELS



Brand Name	Model Number*	Model Name
Duravit	211709	Vero

- \* Consult toilet manufacturers for up-to-date model numbers and availability.
- \*\* Meets 600 grams MaP performance score according to Maximum Performance (MaP) of Toilet Fixture list, version 03/10/2018.

**Geberit**  
2100 S. Clearwater Drive  
Des Plaines, IL 60018  
USA

**P 847-803-7777**  
**F 847-803-5454**

**www.geberit.us**