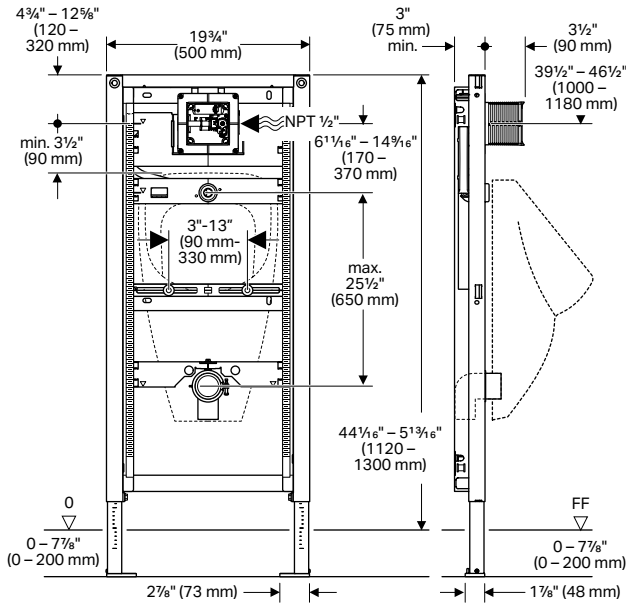


Systems for Wall-Hung Urinals

Geberit Duofix Carrier

Model No.	Description	List Price
111.625.00.1	Carrier frame with rough-in box	\$557.00



NOTES:

- Carrier for 2-hole "Euro" style wall-hung urinal fixtures only
- ASSE 1001 Certified Atmospheric Vacuum Breaker included.
- Refer to → geberit.us for latest list of code-approved compatible urinal fixtures


Note: For System Accessories see pages 16-18.

Actuators

Style	Material	Finish	Model No.	List Price
Type 50	Die Cast	Customer supplied inlay	116.016.00.5	\$543.00
		Alpine White	116.016.11.5	543.00
		Black	116.016.DW.5	543.00
		Brushed Chrome	116.016.GH.5	751.00
		Glass	Umber	116.016.SQ.5
Type 10	Metal	Br SS	116.015.SN.1	370.00
Type30	Plastic	Polished Chr-Matte Chr-Polished Chr****	116.017.KH.1	370.00
		White-Polished Chrome-White***	116.017.KJ.1	370.00

Hands-Free Actuators

Type 10	Metal	Br SS (Battery/DC Power)	116.035.SN.1	\$858.00
		Br SS (AC Power – CLASS 2 power supply transformer included)	116.025.SN.1	858.00

Products marked with  comply with the American Disabilities Act (ADA) when installed per the requirements of the latest ADA Accessibility Guidelines (ADAAG) and/or ICC/ANSI A117.1.

Geberit Duofix Carrier 111.625.00.1

Item	Model No.	Description	List Price	Item	Model No.	Description	List Price
1	242.039.00.1	Crossbar for water supply	\$70.00	8	240.315.00.1	Waste fitting outlet bend, PE; 1 x 90° bend with Ø2.48"/Ø1.97" (Ø63/Ø50 mm)	\$24.00
1.1	362.790.00.1	Round cord ring, EPDM	2.00	8.1	152.693.00.1	Seal for connector, EPDM; for Ø1.97" (Ø50 mm) outlet	3.00
2	152.489.16.1	Supply inlet tube with seal, PE; with Ø1.34" (Ø35 mm) supply inlet	27.00	9	242.516.00.1	Outlet pipe Ø1.97" (Ø50 mm) Terrain article no. 225.2G	24.00
2.1	119.669.00.1	Sleeve, EPDM	3.00	10	111.892.00.1	Frame mounting screws for steel stud construction, galvanized, self-tapping	6.00
3	242.045.00.1	Fixing, with plastic nuts, complete	14.00	11	241.930.00.1	Mud guard protection housing and extension set for urinal carrier	19.00
3.1	242.046.00.1	Plastic union nuts for crossbar for fixing	11.00	12	242.131.00.1	Elbow, 90° (not shown)	60.00
4	240.027.46.1	Cover caps, plastic, Matte Chrome	6.00	13	242.195.00.1	Inlet Hose	55.00
5	242.047.00.1	Outlet cross member	27.00				
6	152.950.11.1	Syphonic trap with horizontal outlet and seal, PE; with Ø1.97" (Ø50 mm) outlet	35.00				
7	853.614.92.1	Protection plug	5.00				

