

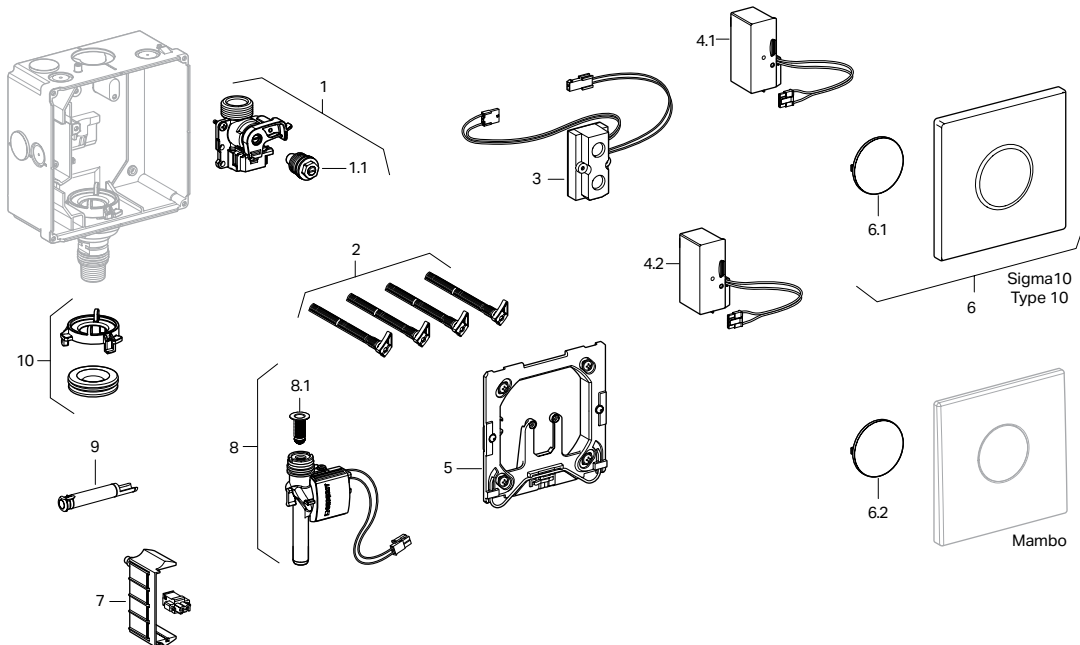
Geberit Hands-Free Type 10 and Mambo Urinal Actuator


116.035 116.025 116.033 116.023

Actuator Dimensions: 5.12" x 5.12" (13 cm x 13 cm)



Item				Model No.	Description	List Price
1	1	1	1	241.934.00.1	Stop valve with throttle, complete	\$63.00
1.1	1.1	1.1	1.1	241.933.00.1	Regulating screw	21.00
2	2	2	2	241.931.00.1	Distance bolts, set	3.00
3	3	3	3	241.941.00.1	Sensor electronics	282.00
4.1		4.1		241.945.00.1	Battery housing for UR-control	14.00
		4.2	4.2	241.944.00.1	Transformer for UR-control	56.00
4.3		4.3		—	2x "AA" alkaline batteries	—
5	5	5	5	241.943.00.1	Mounting frame for horizontal fixation	21.00
6	6	6	6	241.925.SN.1	Cover plate for UR-control Sigma10	189.00
6.1	6.1			241.905.00.1	IR window UR-control Sigma10	19.00
		6.2	6.2	241.903.00.1	Mambo only	19.00
7	7	7	7	241.947.00.1	Insulation protection with connection terminal	5.00
8	8	8	8	241.946.00.1	Solenoid valve for UR-control	138.00
8.1	8.1	8.1	8.1	241.932.00.1	Basket filter	3.00
9	9	9	9	242.484.00.1	Flow limiter for UR-controls	6.00
10	10	10	10	242.156.00.1	Lip seal flushing pipe	3.00



Products marked with  comply with the American Disabilities Act (ADA) when installed per the requirements of the latest ADA Accessibility Guidelines (ADAAG) and/or ICC/ANSI A117.1.

The information and pricing in this document are subject to change without notice.