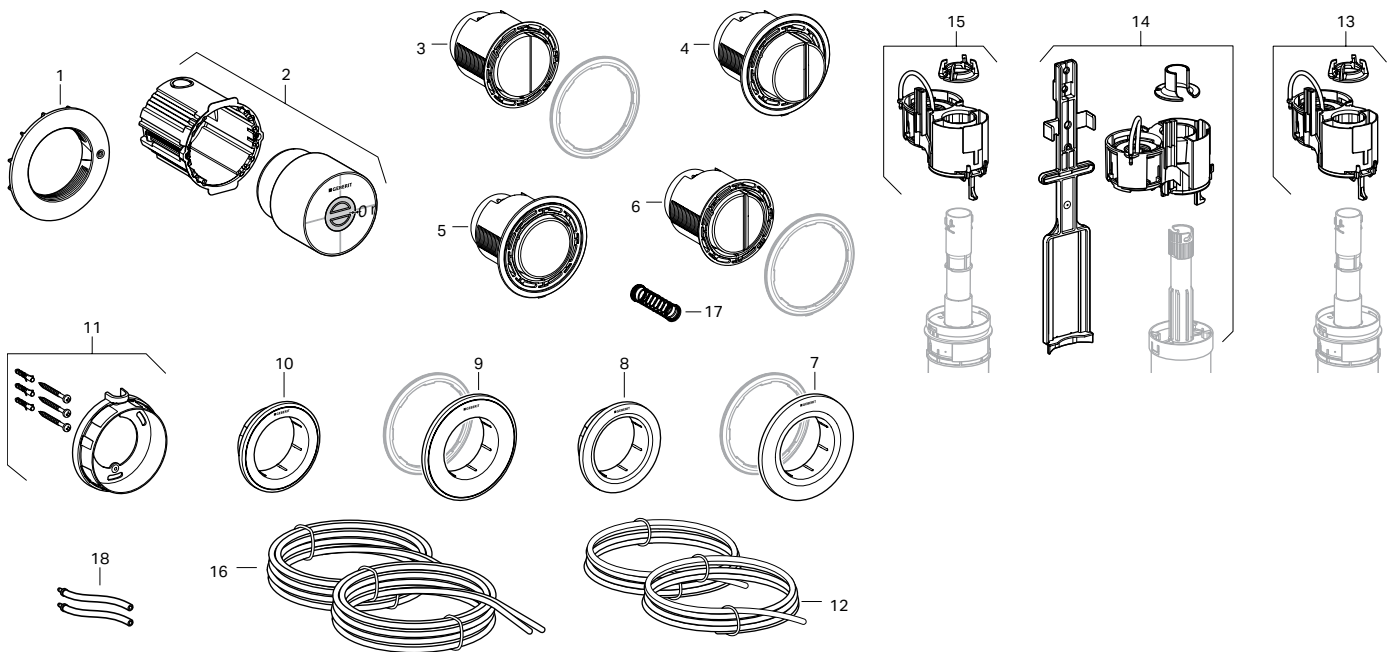



GEBERIT INSTALLATION SYSTEMS

Replacement Parts

Geberit Type 01 and Type 10 Remote Push Button Actuators

Item	Model No.	Description	List Price \$
116.040 116.041 116.042 116.043 116.044 116.045 116.050 116.055 116.056 116.057		Actuator Dimensions: Type 01 and Type 10 Concealed Installation: 3.7" (9.4 cm) dia. Furniture Installation: 3.94" (10 cm) dia.	
1	242.939.00.1	Nut remote control for furniture	16.00
2	243.130.00.1	Concealed housing w/ protection cover	19.00
3	243.398.KH.1	Actuator protruding Type 10 dual flush Matte Chrome	136.00
4	243.398.KK.1	Actuator protruding Type 10 dual flush Alpine White	120.00
5	243.396.11.1	Actuator protruding Type 01 dual flush Polished Chrome/White	92.00
6	243.395.11.1	Actuator Type 01 pneumatic single flush, Alpine White	84.00
7	243.395.21.1	Actuator Type 01 pneumatic single flush, Bright Chrome	92.00
8	243.397.11.1	Actuator Type 01 pneumatic dual flush, Alpine White	92.00
9	243.397.21.1	Actuator Type 01 pneumatic dual flush, Bright Chrome	120.00
10	243.397.46.1	Actuator Type 01 pneumatic dual flush, Matte Chrome	120.00
11	242.961.11.1	Collar for Type 01 for concealed actuator, Alpine White	28.00
12	242.961.21.1	Collar for Type 01 for concealed actuator, Bright Chrome	28.00
13	242.962.11.1	Collar for Type 01 furniture actuator, Alpine White	16.00
14	242.962.21.1	Collar for Type 01 furniture actuator, Bright Chrome	28.00
15	242.962.46.1	Collar for Type 01 furniture actuator, Matte Chrome	28.00
16	242.963.KH.1	Collar for Type 10 for concealed actuator, Matte Chrome	35.00
17	242.963.KJ.1	Collar for Type 10 for concealed actuator, Polished Chrome/White	35.00
18	242.964.KH.1	Collar for Type 10 furniture actuator, Matte Chrome	35.00
19	242.964.KJ.1	Collar for Type 10 furniture actuator, Polished Chrome/White	35.00
20	242.965.00.1	Fastening ring for Type 01 S/M actuator	32.00
21	256.000.00.1	Pneumatic hose 3.5 m	5.00
22	240.573.00.1	Pneumatic flushing device for WC-control single flush (Sig2x6/Sig2x4)	19.00
23	242.594.00.1	Pneumatic flushing device dual for UP720/UP172 (111.728)	35.00
24	240.574.00.1	Pneumatic flushing device for WC-control dual flush (Sig2x6/Sig2x4)	24.00
25	240.575.00.1	Double pneumatic hose for dual flush 78.74" (2 m) (Blue/Clear)	6.00
26	243.703.00.1	Geberit set of compression springs for remote flush actuation types 01 and 10	20.00
27	244.601.00.1	Geberit set of adapter hoses d4-5, for remote flush actuation, pneumatic	24.00



Products marked with  comply with the American Disabilities Act (ADA) when installed per the requirements of the latest ADA Accessibility Guidelines (ADAAG) and/or ICC/ANSI A117.1.

The information contained in this document is subject to change without notice.