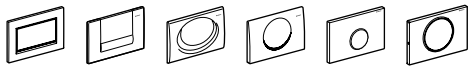


Geberit Mambo, Rumba, Tango, Sigma10 and Sigma30 Actuators 

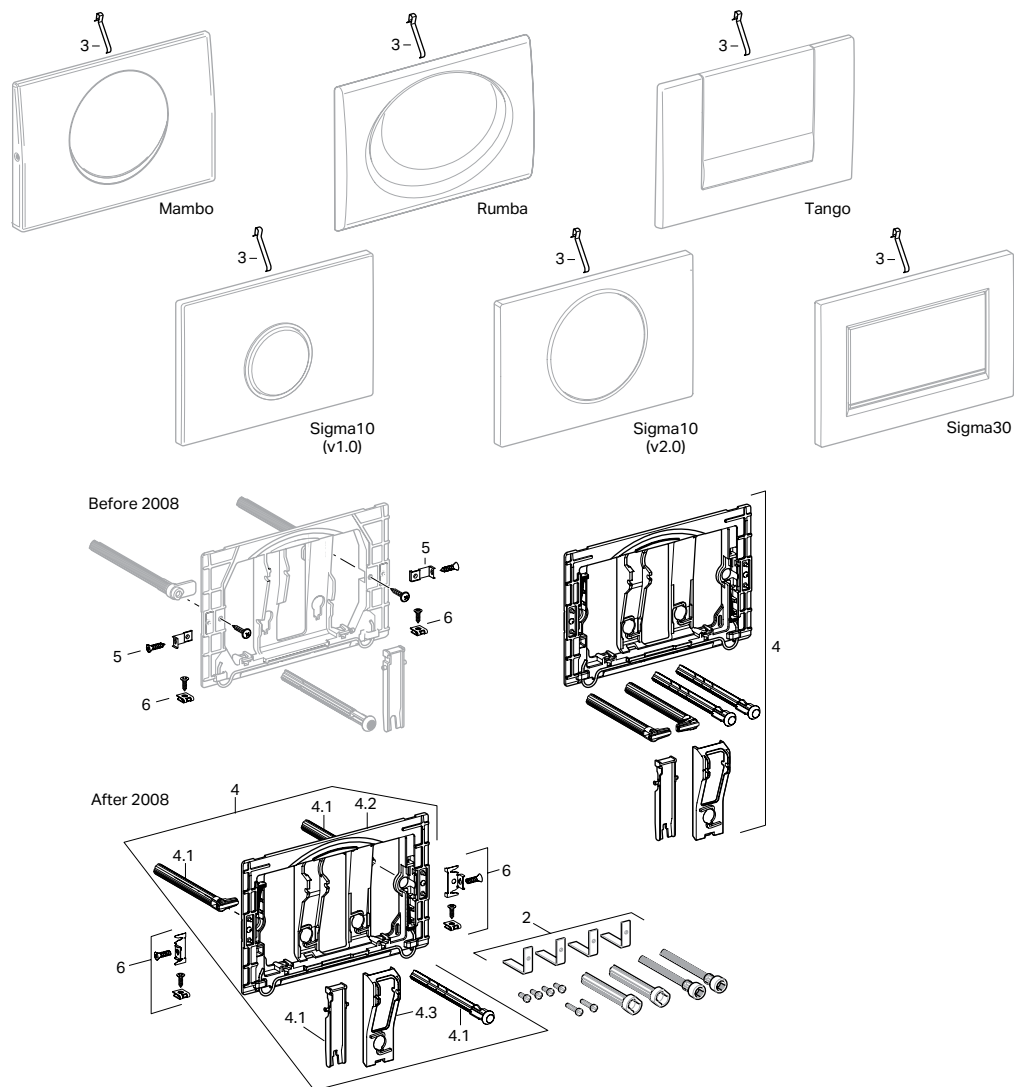
115.893 115.760 115.750 115.751 115.758 115.758/115.787


Actuator Dimensions: 9.7" x 6.5" (24.6 cm x 16.4 cm)



Item	2	3	4	4.1	4.2	4.3	5	6	Model No.	Description	List Price \$
2	2	2	2	2	2	2			240.938.00.1	Extension set for actuator plates for Sigma Concealed Tanks 2x6, 2x4, Kappa and Omega Concealed Tanks	28.00
3	3	3	3	3	3	3			813.514.00.1	Spring for actuator plate	4.00
4	4	4	4	4	4	4			241.873.00.1	Conversion kit for tool-free assembly (converts units manufactured prior to 04.01.2008)	37.00
4.1	4.1	4.1	4.1	4.1	4.1	4.1			241.874.00.1	Actuator bolt and rod kit, tool-free assembly	15.00
4.2	4.2	4.2	4.2	4.2	4.2	4.2			241.876.00.1	Mounting frame, tool-free assembly	17.00
						4.3			241.878.00.1	Rocker mounting Mambo, tool free. From 2008	15.00
5	5		5						241.093.00.1	Fastening for cover plate UP300 set-2	22.00
6	6		6			6			241.877.00.1	Fastening set for mounting frame, tool-free assembly	56.00

115.760, 115.750, 115.751, 115.758, 115.787, 115.893



Products marked with  comply with the American Disabilities Act (ADA) when installed per the requirements of the latest ADA Accessibility Guidelines (ADAAG) and/or ICC/ANSI A117.1.

The information contained in this document is subject to change without notice.