

# QUICK-SELECT GUIDE

FOR WALL-HUNG BIDET TOILETS



KNOW  
HOW  
INSTALLED

# Wall-Hung Bidet Toilet Quick-Select Guide

Easy reference for matching bowls, seats, carriers, connection kits, and flush plates

A quick reference for selecting a complete wall-hung bidet toilet system: bowl, seat, Geberit carrier, connection kit, and actuator plate. Organized by brand and series, it follows a simple 3-step process for fast, accurate selections.

Designed for:

- Showroom and sales specialists
- Designers and architects
- Building and engineering professionals
- Homeowners planning a project

## The In-Wall Carrier Matters More Than the Bowl

In a wall-hung system, the in-wall carrier drives long-term performance and serviceability. When you specify a carrier from Geberit — the inventor of the in-wall toilet system — you get a system that's been proven over decades of use worldwide, preferred by plumbers, and flexible enough to adapt to any construction situation.

- **One Carrier, Many Bowls:** Geberit systems are compatible with a wide range of bowls from leading ceramic manufacturers.
- **Design Flexibility:** Geberit offers the broadest selection of materials, finishes, and price tiers in our flush actuator plates.
- **World Class Support:** Strong warranty programs, long-term spare-part availability, and technical support.

## How to Use This Guide

### 1. Bowl + seat

- Find bowl by brand/series/model.
- Select the seat/lid listed for that bowl (do not substitute).

### 2. Carrier + connection kit

- Select carrier by wall construction.
- From the bowl/seat pairing, confirm the required carrier and connection kit.

### 3. Flush actuator plate

- Select a plate compatible with the chosen carrier family, then choose finish.



Scan this QR code for our complete bidet guide. Full rough-ins are available.



# TOTO®

Two types of TOTO toilet and bidet seats are compatible with Geberit carriers.

Standard TOTO WASHLET: Installs on most toilets but leaves the water supply hose and electrical cord exposed on the side of the toilet.

TOTO WASHLET+: Designed to pair with a compatible TOTO toilet so all hoses and cords are hidden through the toilet body, creating a fully integrated, streamlined appearance.

## TOTO WASHLET®+ SERIES – Toilet and Bidet Seat with Concealed Connections

### STEP 1: Bowl + seat

- Find bowl by brand/series/model.
- Select the seat/lid listed for that bowl (do not substitute).

### STEP 2: Carrier + connection kit

- Select carrier by wall construction.
- From the bowl/seat pairing, confirm the required carrier and connection kit.

### STEP 3: Flush actuator plate

- Select a plate compatible with the chosen carrier family, then choose finish.

STEP 1				STEP 2									STEP 3
Bowl Family	Bowl Model Number <sup>1</sup>	Seat/Lid Family		A 2x4 Wall Construction			B 2x6 Wall Construction			C 2x6 Pre-wall/Pony wall			GEBERIT Actuator <sup>4</sup>
				GEBERIT Carrier	Washlet Connection Kit		GEBERIT Carrier	Washlet Connection Kit		GEBERIT Carrier	Washlet Connection Kit		
<b>AP®</b> 	CT426CFGT40#01	S2	SW3346#01	DuoFix w/ Sigma 8 Cistern <b>111.597.00.2</b> <sup>3</sup>	TOTO THU805		DuoFix w/ Sigma 12 Cistern <b>111.902.00.7</b>	TOTO THU805		DuoFix w/ Omega 12 Cistern <b>111.018.00.2</b>	TOTO THU805		 <b>SIGMA</b>
		S5	SW3446#01										
		S7	SW4726AT40#01 <sup>2</sup>										
		S7A	SW4736AT40#01 <sup>2</sup>										
<b>EP®</b> 	CT428CFGT40#01	S2	SW3346#01	DuoFix w/ Sigma 8 Cistern <b>111.597.00.2</b> <sup>3</sup>	TOTO THU805		DuoFix w/ Sigma 12 Cistern <b>111.902.00.7</b>	TOTO THU805		DuoFix w/ Omega 12 Cistern <b>111.018.00.2</b>	TOTO THU805		 <b>OMEGA</b>
		S5	SW3446#01										
		S7	SW4726AT40#01 <sup>2</sup>										
		S7A	SW4736AT40#01 <sup>2</sup>										
<b>RP®</b> 	CT447CFGT60#01	RW	SW4547AT60(N) <sup>2</sup>	DuoFix w/ Sigma 8 Cistern <b>111.597.00.2</b> <sup>3</sup>	Included		DuoFix w/ Sigma 12 Cistern <b>111.902.00.7</b>	Included		DuoFix w/ Omega 12 Cistern <b>111.018.00.2</b>	Included		 <b>TYPE 10</b>
		RX	SW4047T60#01										
			SW4047AT60#01 <sup>2</sup>										
<b>SP®</b> 	CT449CFGT60#01	SW	SW4049T60#01	DuoFix w/ Sigma 8 Cistern <b>111.597.00.2</b> <sup>3</sup>	Included		DuoFix w/ Sigma 12 Cistern <b>111.902.00.7</b>	Included		DuoFix w/ Omega 12 Cistern <b>111.018.00.2</b>	Included		 <b>TYPE 10 IR</b>
			SW4049AT60#01 <sup>2</sup>										
		SX	SW4049T60#01										
			SW4049AT60#01 <sup>2</sup>										

1. Consult toilet manufacturers for up-to-date model numbers and availability. 2. TOTO autoflush function not compatible (disabled). Hands-free activation is available using Geberit Type10 IR button. 3. Can also be used in 2x6 walls. 4. Geberit touch-free actuators Sigma10 and Sigma80 are not recommended for use with TOTO Washlet+ seats.

# TOTO®

Two types of TOTO toilet and bidet seats are compatible with Geberit carriers.

Standard TOTO WASHLET: Installs on most toilets but leaves the water supply hose and electrical cord exposed on the side of the toilet.

TOTO WASHLET+: Designed to pair with a compatible TOTO toilet so all hoses and cords are hidden through the toilet body, creating a fully integrated, streamlined appearance.

## TOTO WASHLET® SERIES – Separate Toilet and Bidet Seat

### STEP 1: Bowl + seat

- Find bowl by brand/series/model.
- Select the seat/lid listed for that bowl (do not substitute).

### STEP 2: Carrier + connection kit

- Select carrier by wall construction.
- From the bowl/seat pairing, confirm the required carrier and connection kit.

### STEP 3: Flush actuator plate

- Select a plate compatible with the chosen carrier family, then choose finish.

STEP 1				STEP 2									STEP 3
Bowl Family	Bowl Model Number <sup>1</sup>	Seat/Lid Family		A 2x4 Wall Construction			B 2x6 Wall Construction			C 2x6 Pre-wall/Pony wall			GEBERIT Actuator <sup>4</sup>
				GEBERIT Carrier	Washlet Connection Kit		GEBERIT Carrier	Washlet Connection Kit		GEBERIT Carrier	Washlet Connection Kit		
<b>AP®</b>  	CT426CFG#01	A2	SW3004	DuoFix w/ Sigma 8 Cistern <b>111.597.00.2<sup>3</sup></b>	TOTO THU807		DuoFix w/ Sigma 12 Cistern <b>111.902.00.7</b>	TOTO THU807		DuoFix w/ Omega 12 Cistern <b>111.018.00.2</b>	TOTO THU807		 <b>SIGMA</b>   <b>OMEGA</b>
		S2	SW3346#01										
		S5	SW3446#01										
		S7	SW4726AT40#01 <sup>2</sup> SW4724AT40#01 <sup>2</sup>										
		S7A	SW4736AT40#01 <sup>2</sup> SW4734AT40#01 <sup>2</sup>										
<b>EP®</b>  	CT428CFG#01	A2	SW3004	DuoFix w/ Sigma 8 Cistern <b>111.597.00.2<sup>3</sup></b>	TOTO THU807		DuoFix w/ Sigma 12 Cistern <b>111.902.00.7</b>	TOTO THU807		DuoFix w/ Omega 12 Cistern <b>111.018.00.2</b>	TOTO THU807		 <b>TYPE 10</b>   <b>TYPE 10 IR</b>
		S2	SW3346#01										
		S5	SW3446#01										
		S7	SW4726AT40#01 <sup>2</sup> SW4724AT40#01 <sup>2</sup>										
		S7A	SW4736AT40#01 <sup>2</sup> SW4734AT40#01 <sup>2</sup>										

1. Consult toilet manufacturers for up-to-date model numbers and availability. 2. TOTO autoflush function not compatible (disabled). Hands-free activation is available using Geberit Type10 IR button. 3. Can also be used in 2x6 walls. 4. Geberit touch-free actuators Sigma10 and Sigma80 are not recommended for use with TOTO Washlet+ seats.

# Geberit Actuator Plates

Geberit actuator plates not only look great, they also function smoothly and quietly. Geberit dual-flush plates feature a visual cue so that everyone approaching the system knows instantly how to use it: press the small button to flush liquids and the large button to flush solids. It's intuitive, but it also happens to save thousands of gallons of water every year.

Every Geberit flush plate serves another important function. Lift the flush plate to reveal the working parts of the Geberit in-wall system. Without using tools, you can easily reach the fill and flush valves to perform simple maintenance. (But don't expect to spend much time in there: Geberit valves are designed to be practically maintenance-free.)

Geberit flush plates come in all the hottest finishes, like matte black, brushed nickel, and classic polished chrome, now available with 'precious metal' accents like brass and rose gold. Choose from standard surface materials like metal, glass, and plastic, or, for an even more striking look, customize the flush plate surface to match the wall or create a bold accent.

**SIGMA01**



**BASIC**  
(Dual Flush)



**SIGMA10**



**MODERN CLASSIC**  
(Stop-and-Go Flush)



**SIGMA20**



**MODERN CLARITY**  
(Dual Flush)



**SIGMA40**



**PURE ELEGANCE**  
(Dual Flush)



**SIGMA50**



**MIXED MATERIALS**  
(Dual Flush)



**SIGMA70**



**FLOATING/PURISTIC**  
(Dual Flush)



**SIGMA80**



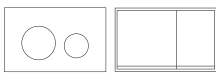
**TOUCHLESS\***  
(Dual Flush)



**OMEGA20**



**MODERN & COMPACT**  
(Dual Flush)



**OMEGA60**



**MINIMALIST**  
(Dual Flush)



**TYPE10**



**MANUAL REMOTE**  
(Dual Flush)

**TYPE10**



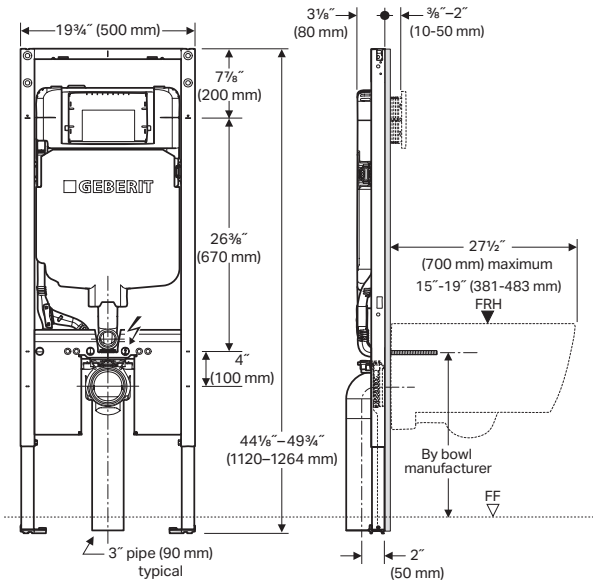
**TOUCHLESS REMOTE**  
(Infrared)

\*Geberit touch-free actuators Sigma10 and Sigma80 are not recommended for use with TOTO Washlet+ seats.

# GEBERIT Carrier Dimensions

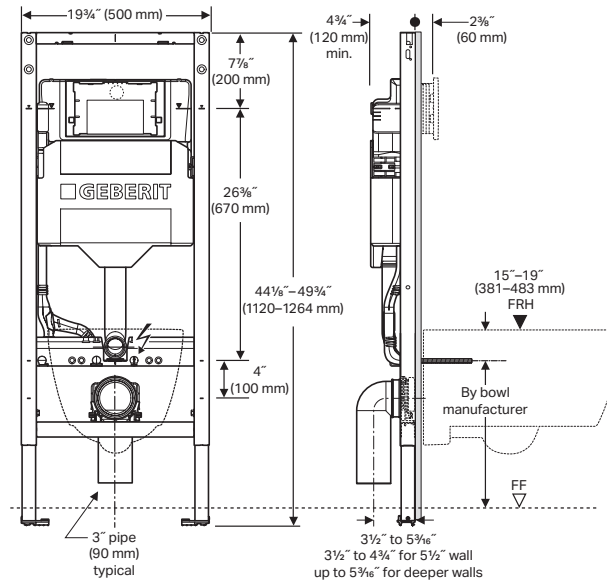
## DUOFIX Carrier w/ SIGMA 8 (2x4)

111.597.00.2



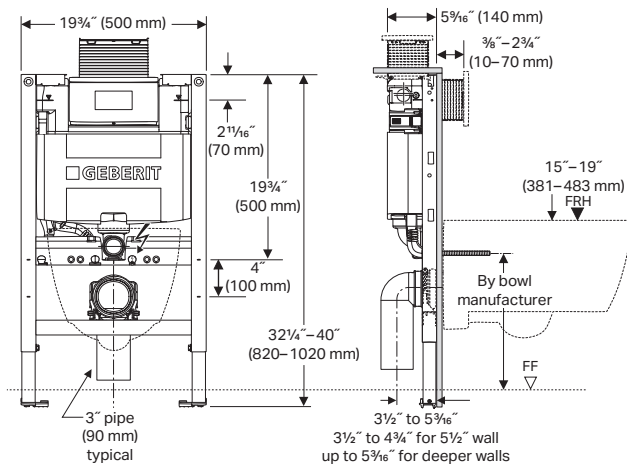
## DUOFIX Carrier w/ SIGMA 12 (2x6)

111.902.00.7



## DUOFIX Carrier w/ OMEGA 12 (2x6)

111.018.00.2





**Geberit**

2100 S. Clearwater Drive  
Des Plaines, IL 60018  
USA

P 800-566-2100  
F 847-849-1845

[www.geberitnorthamerica.com](http://www.geberitnorthamerica.com)

Geberit North America is part of the Geberit Group, a European market leader and global provider of sanitary technology. Located in Des Plaines, Illinois, Geberit North America provides concealed tank and carrier systems for wall-hung and floor-mounted toilets and fixtures. Geberit systems improve the look of any bathroom by hiding the unsightly toilet tank. Replacing a standard tank and toilet with the Geberit system results in more usable space, improved hygiene and better accessibility. The unique dual-flush valve saves water and is practically maintenance free. Geberit also offers cable-controlled bath waste and overflows in a variety of designer finishes. Critical working parts are outside the waterway, ensuring years of trouble-free operation.

For more information, contact your Geberit sales representative, call 800/566-2100 or go to [geberitnorthamerica.com](http://www.geberitnorthamerica.com).

