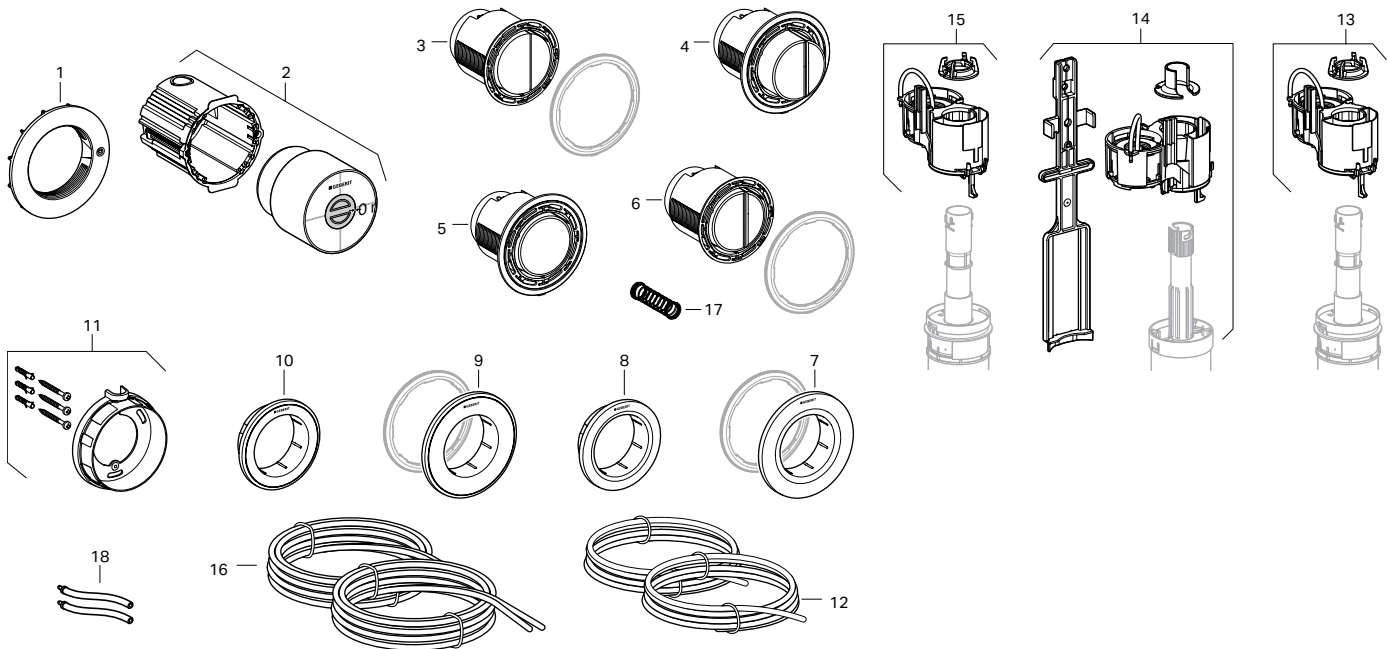



GEBERIT INSTALLATION SYSTEMS

Replacement Parts

Geberit Type 01 and Type 10 Remote Push Button Actuators

Item	Model No.	Description	List Price \$									
116.040	116.041	116.042	116.043	116.044	116.045	116.050	116.055	116.056	116.057	Actuator Dimensions: Type 01 and Type 10 Concealed Installation: 3.7" (9.4 cm) dia. Furniture Installation: 3.94" (10 cm) dia.		
1										242.939.00.1	Nut remote control for furniture	18.00
2	2	2	2	2	2					243.130.00.1	Concealed housing w/ protection cover	27.00
										243.398.KH.1	Actuator protruding Type 10 dual flush Matte Chrome	149.00
										243.398.KK.1	Actuator protruding Type 10 dual flush Alpine White	131.00
										242.398.KM.1	Actuator protruding Type 10 dual flush, Black	149.00
			4	4						243.396.11.1	Actuator protruding Type 01 dual flush Polished Chrome/White	101.00
5	5									243.395.11.1	Actuator Type 01 pneumatic single flush, Alpine White	92.00
5	5									243.395.21.1	Actuator Type 01 pneumatic single flush, Bright Chrome	101.00
		6	6			6				243.397.11.1	Actuator Type 01 pneumatic dual flush, Alpine White	101.00
		6	6			6				243.397.21.1	Actuator Type 01 pneumatic dual flush, Bright Chrome	131.00
						6				243.397.46.1	Actuator Type 01 pneumatic dual flush, Matte Chrome	131.00
7	7	7	7	7	7					242.961.11.1	Collar for Type 01 for concealed actuator, Alpine White	31.00
7	7	7	7							242.961.21.1	Collar for Type 01 for concealed actuator, Bright Chrome	31.00
										242.962.11.1	Collar for Type 01 furniture actuator, Alpine White	18.00
										242.962.21.1	Collar for Type 01 furniture actuator, Bright Chrome	31.00
										242.962.46.1	Collar for Type 01 furniture actuator, Matte Chrome	31.00
							9	9		242.963.KH.1	Collar for Type 10 for concealed actuator, Matte Chrome	38.00
							9	9		242.963.KJ.1	Collar for Type 10 for concealed actuator, Polished Chrome/White	38.00
							9	9		242.963.KM.1	Collar for Type 10 for concealed actuator, Black	38.00
								10		242.964.KH.1	Collar for Type 10 furniture actuator, Matte Chrome	38.00
								10		242.964.KJ.1	Collar for Type 10 furniture actuator, Polished Chrome/White	38.00
11	11									242.965.00.1	Fastening ring for Type 01 S/M actuator	35.00
12	12									256.000.00.1	Pneumatic hose 3.5 m	9.00
13	13									240.573.00.1	Pneumatic flushing device for WC-control single flush (Sig2x6/Sig2x4)	27.00
			14	14				14		242.594.00.1	Pneumatic flushing device dual for UP720/UP172 (111.728)	58.00
		15	15	15	15	15	15	15		240.574.00.1	Pneumatic flushing device for WC-control dual flush (Sig2x6/Sig2x4)	33.00
		16	16	16	16	16	16	16		240.575.00.1	Double pneumatic hose for dual flush 78.74" (2 m) (Blue/Clear)	10.00
17	17	17	17	17	17	17	17	17	17	243.703.00.1	Geberit set of compression springs for remote flush actuation types 01 and 10	22.00
18	18	18	18	18	18	18	18	18	18	244.601.00.1	Geberit set of adapter hoses d4-5, for remote flush actuation, pneumatic	27.00



Products marked with  comply with the American Disabilities Act (ADA) when installed per the requirements of the latest ADA Accessibility Guidelines (ADAAG) and/or ICC/ANSI A117.1.

The information contained in this document is subject to change without notice.