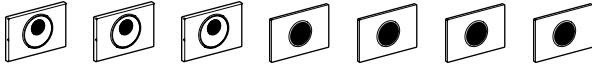


**Geberit Hands-Free Sigma10 and Mambo Actuator** 

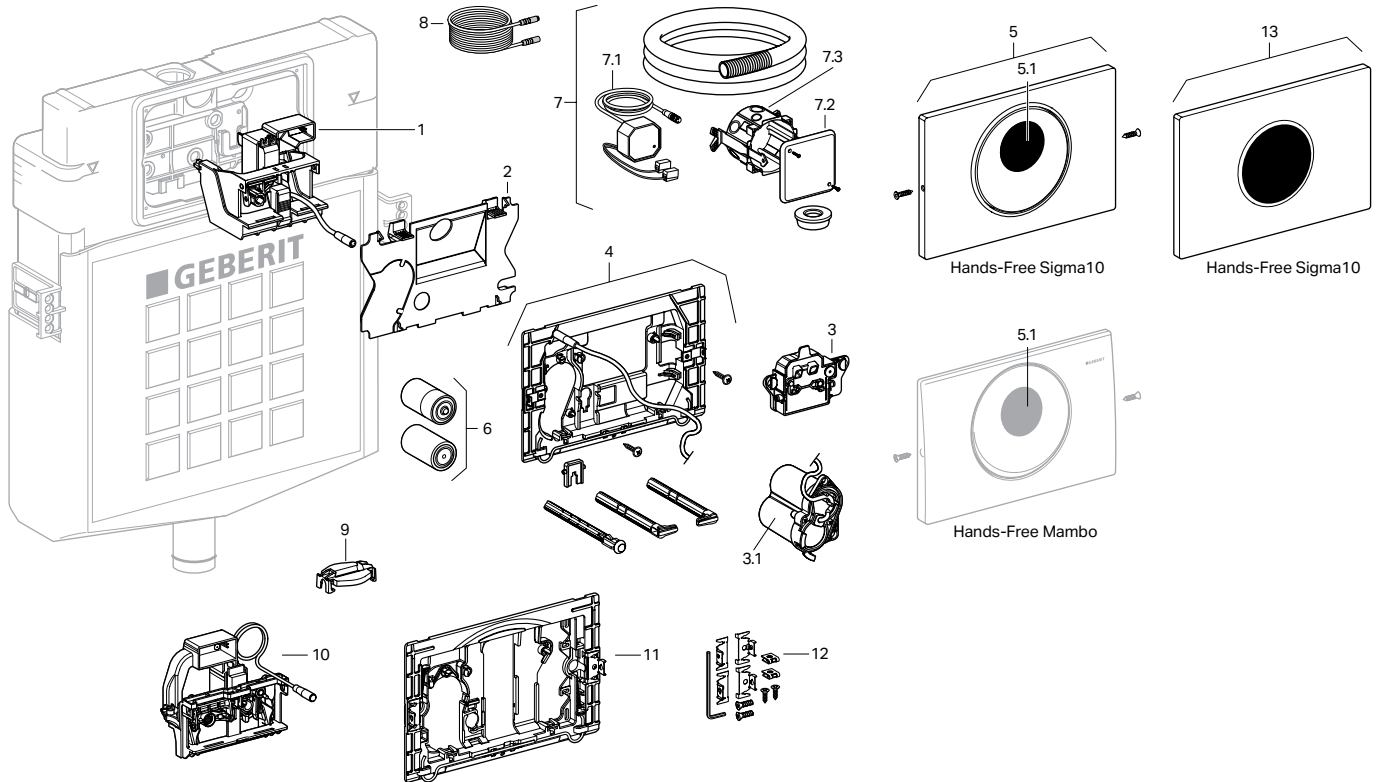
115.891 115.890 115.856 115.907 115.908 CR115-6 CR115-7  
CR115-8


Actuator Dimensions: 9.7" x 6.5" (24.6 cm x 16.4 cm)



Item							Model No.	Description	List Price \$
1	1	1	1	1	1	241.150.00.1	Lifting device with servo-motor for WC-control	192.00	
2	2		2	2	2	241.303.00.1	Protection plate for WC-control Sigma10 and Mambo	10.00	
3	3	3	3	3	3	241.476.00.1	Electronic sensor for WC-control	454.00	
3.1				3.1	3.1	242.870.00.1	Battery housing	180.00	
4	4		4	4		242.871.00.1	Mounting frame for WC-control	45.00	
5	5	5				242.781.SN.1	IR actuator plate for WC-control Sigma10 and Mambo	312.00	
5.1	5.1	5.1	5.1	5.1		241.478.00.1	IR window with adapter for WC-control Sigma10 and Mambo	38.00	
6				6	6	—	2 batteries, LR20 (standard) "D" cells	—	
7	7	7			7	115.861.00.1	Control installation set	175.00	
7.1	7.1	7.1			7.1	241.149.00.1	Power supply unit	152.00	
7.2	7.2	7.2			7.2	241.161.00.1	Cover for housing for electric socket	15.00	
7.3	7.3	7.3			7.3	241.302.00.1	Housing for electric socket	19.00	
8	8	8			8	241.831.00.1	Extension mains cable	84.00	
9	9	9	9	9	9	242.975.11.1	Flush valve crown	6.00	
					10	243.356.00.1	Lifting device WC-control 2x4 (2016 version)	192.00	
					11	242.425.00.1	Mounting frame for Mambo	126.00	
					12	241.877.00.1	Fastening set for mounting frame. Tool free assembly.	56.00	
		13	13	13	13	242.782.KH.1	Bright Chrome-Matte Chrome	124.00	
		13	13	13	13	242.782.KJ.1	White-Bright Chrome	124.00	
		13	13	13	13	242.782.KK.1	White, Gold-Plated	217.00	
		13	13	13	13	242.782.KL.1	White, Matte Chrome	124.00	
		13	13	13	13	242.782.KM.1	Black-Bright Chrome	124.00	
		13	13	13	13	242.782.KN.1	Matte Chrome-Bright Chrome	124.00	
		13	13	13	13	242.782.SN.1	Stainless Steel Brushed, Polished	259.00	

**115.891 (Battery/DC), 115.890 (AC), 115.856 (AC), 115.907 (AC), 115.908 (Battery/DC)**



Products marked with  comply with the American Disabilities Act (ADA) when installed per the requirements of the latest ADA Accessibility Guidelines (ADAAG) and/or ICC/ANSI A117.1.

The information contained in this document is subject to change without notice.