



# **Maintenance Manual**

**Instandhaltungsanleitung  
Manuel d'entretien  
Istruzioni per la manutenzione**

**KNOW  
HOW  
INSTALLED**

## Table of Contents

<b>Information</b> .....	<b>2</b>
<b>Safety</b> .....	<b>3</b>
Target group.....	3
Safety notes .....	3
Explanation of symbols .....	3
<b>Product description</b> .....	<b>4</b>
Structure.....	4
Function .....	4
<b>Repair</b> .....	<b>5</b>
Troubleshooting .....	5
Replacing the actuator plate .....	6
Cleaning the filter .....	6
Replacing the reinforced braided hose.....	11
Replacing the pneumatic hose.....	16
Moving the piston on the servo lifter .....	19
Rinsing the servo lifter .....	22
Replacing the servo lifter.....	26
Checking the operability.....	31

# Safety

---

## Target group




Maintenance and repair on this product may only be performed by skilled persons.

## Safety notes

- Use only original spare parts when making repairs
- Do not modify the product or add any additional modules

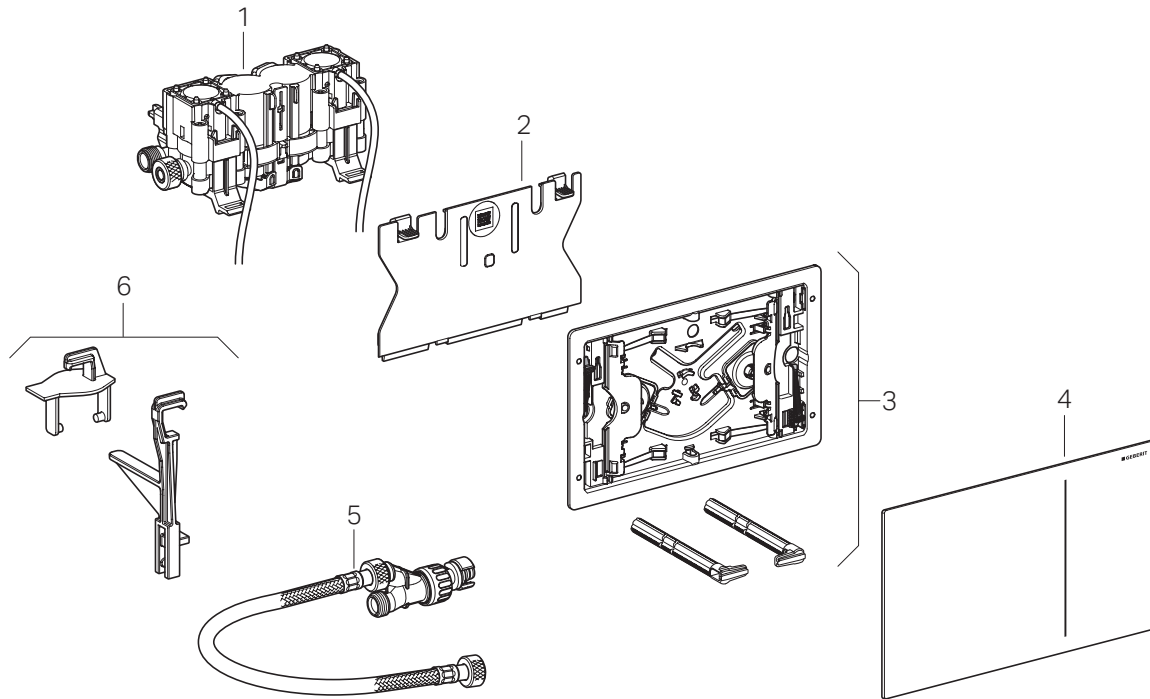
## Explanation of symbols

Table 1: Symbols in the instructions

Symbol	Meaning
<b>CAUTION</b> 	Refers to a potentially dangerous situation that may cause slight or moderate injury or material damage
	Indicates that a visual check must be carried out
	Refers to correct usage

## Product description

### Structure



- 1 Hydraulic servo lifter with pneumatic hoses
- 2 Protection plate
- 3 Mounting frame with distance bolts
- 4 Actuator plate
- 5 Y-branch with reinforced braided hose
- 6 Conversion set for flush valve

### Function

The release mechanism for the Geberit actuator plate Sigma70 comprises a pneumatic and a hydraulic part. The force from the actuator plate is transmitted to the servo lifter pneumatically. The flush valve is opened hydraulically by the water pressure in the pipeline.

# Repair

## Troubleshooting



### CAUTION

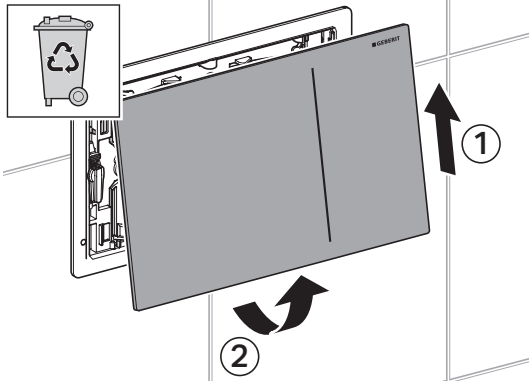
#### Crushing of the fingers by releasing the servo lifter

- ▶ Close the angle stop valve and remove the pneumatic hoses on the servo lifter before performing repair work.

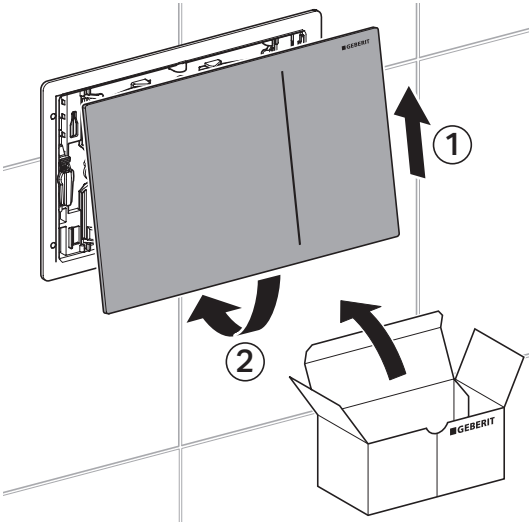
Fault	Cause	Rectification
A flush cannot be released	The filter is dirty	▶ Clean the filter
	The reinforced braided hose is kinked	▶ Replace the reinforced braided hose
	The pneumatic hose is kinked, dirty or filled with water	▶ Replace the pneumatic hose
	The end of the pneumatic hose is leaking	▶ Cut off the leaking end of the pneumatic hose
A partial or full flush cannot be released	The pneumatic hose is kinked, dirty or filled with water	▶ Replace the pneumatic hose
Water is running continuously into the WC ceramic appliance	The flush valve no longer returns to its starting position	▶ See maintenance manual for the flush valve
	The piston on the servo lifter no longer returns to its starting position	▶ Rinse the servo lifter ▶ Move the piston on the servo lifter ▶ Replace the servo lifter

### Replacing the actuator plate

1

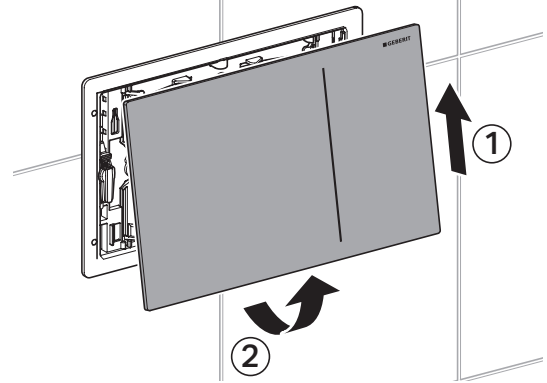


2

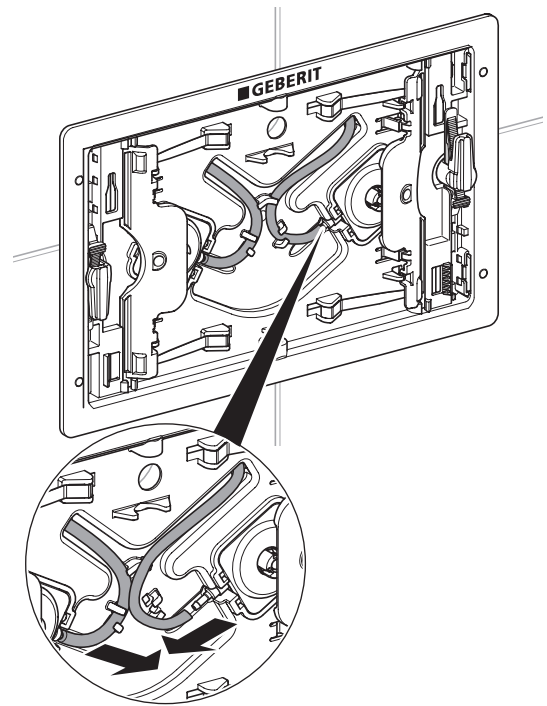


### Cleaning the filter

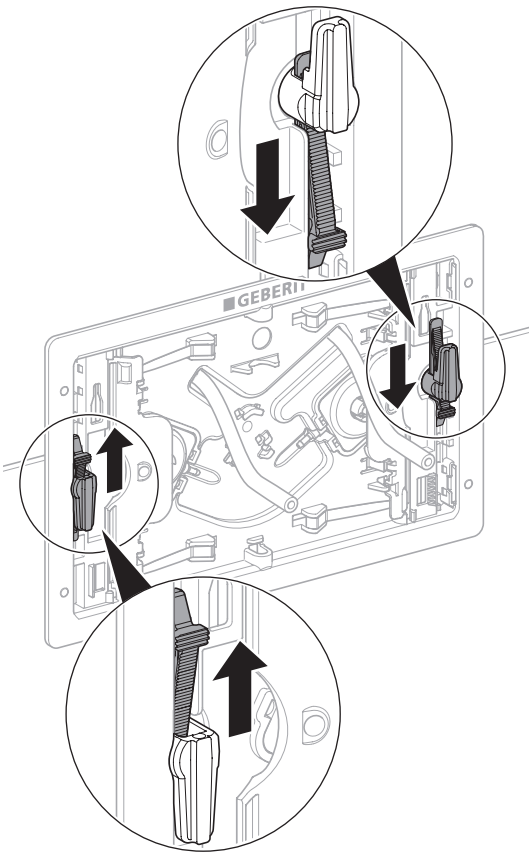
1



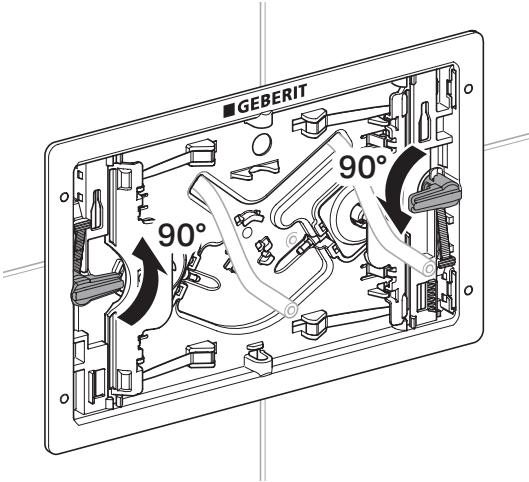
2



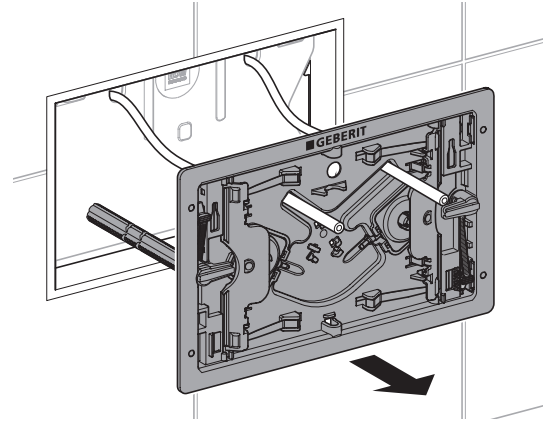
3



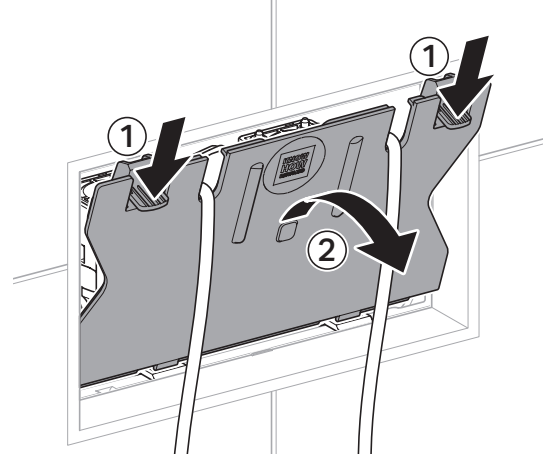
4



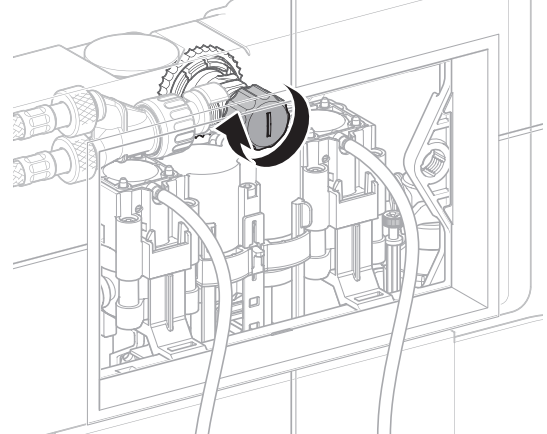
5



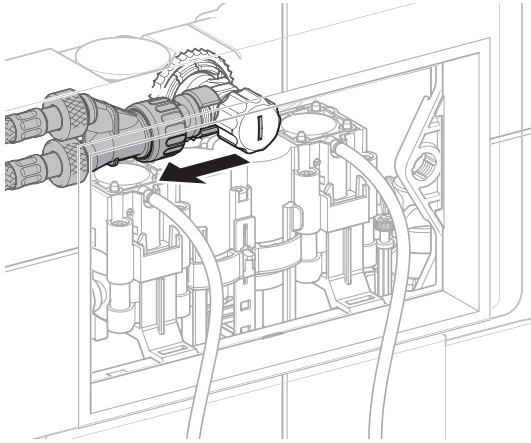
6



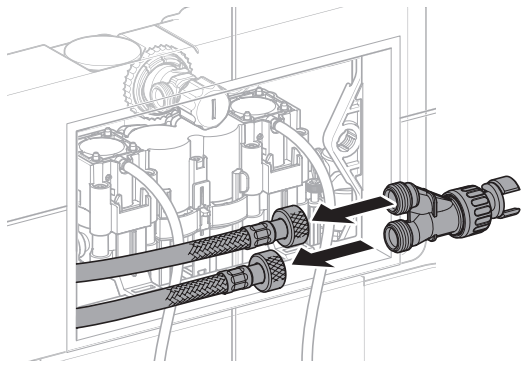
7



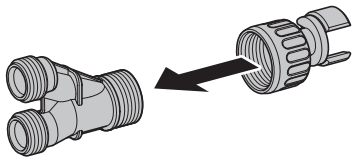
8



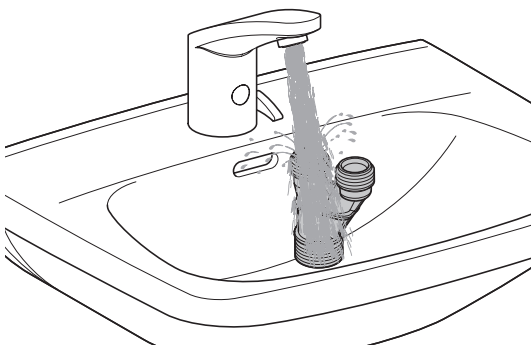
9



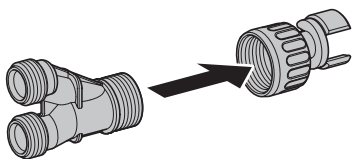
10



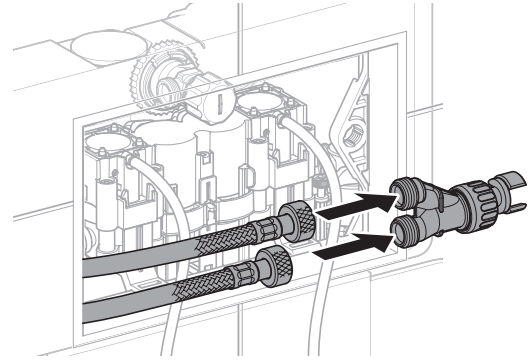
11



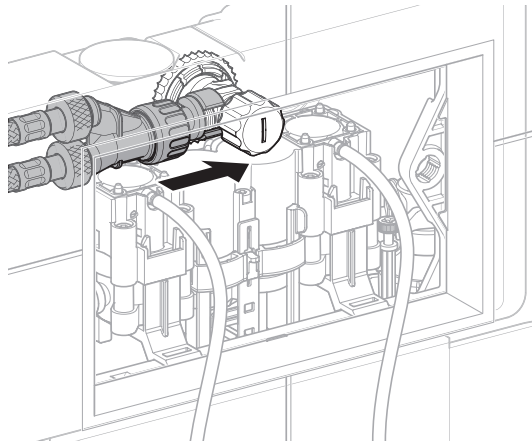
12



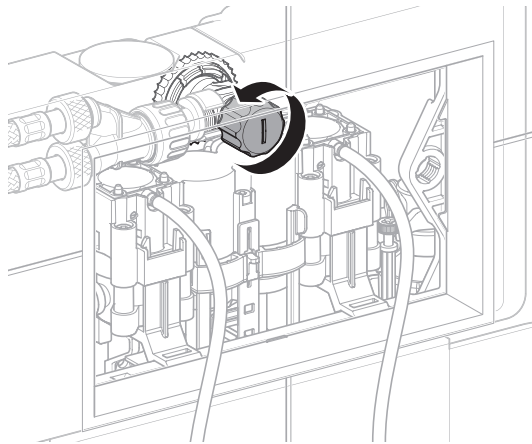
13



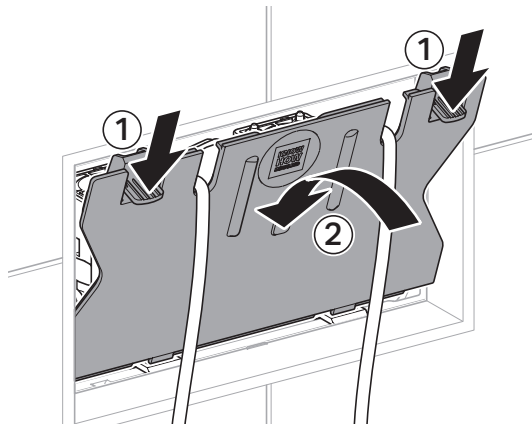
14



15

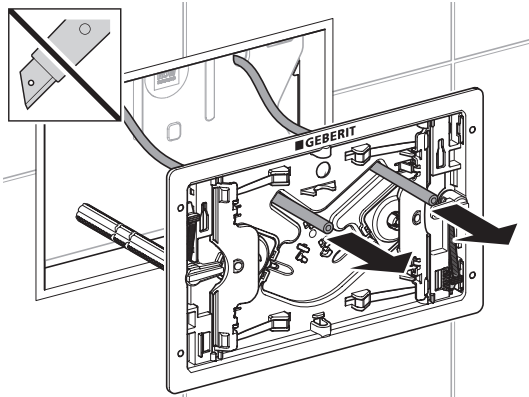


16

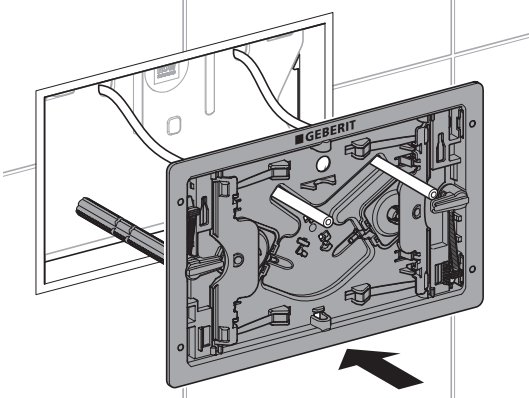




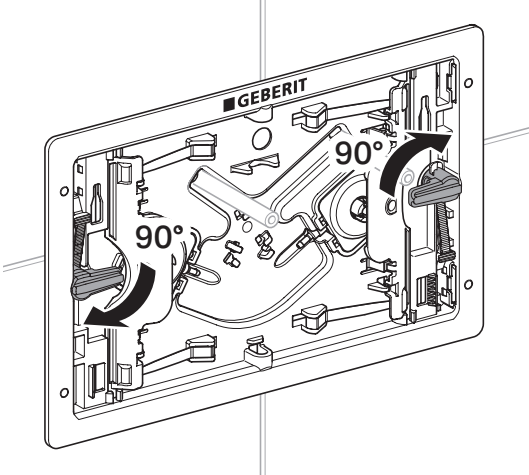
17



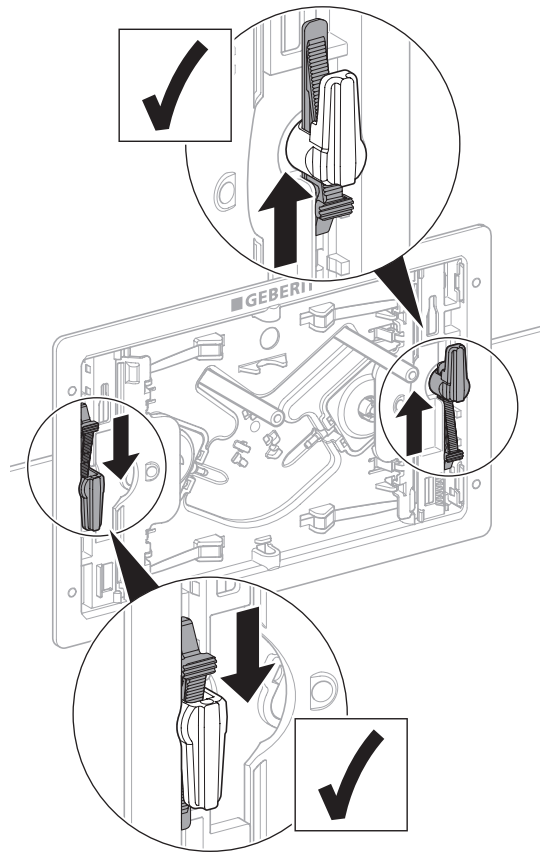
18



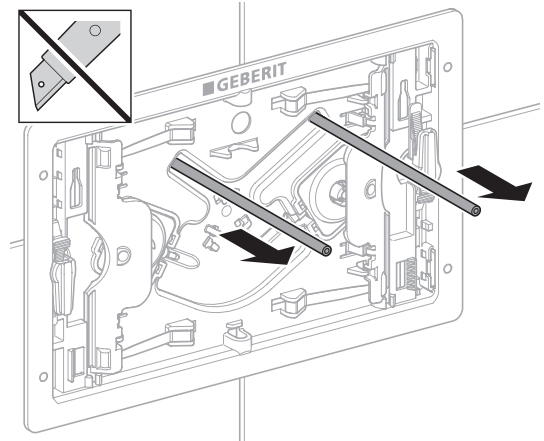
19



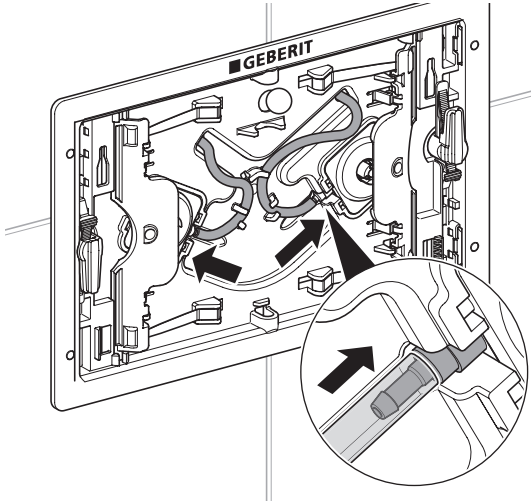
20



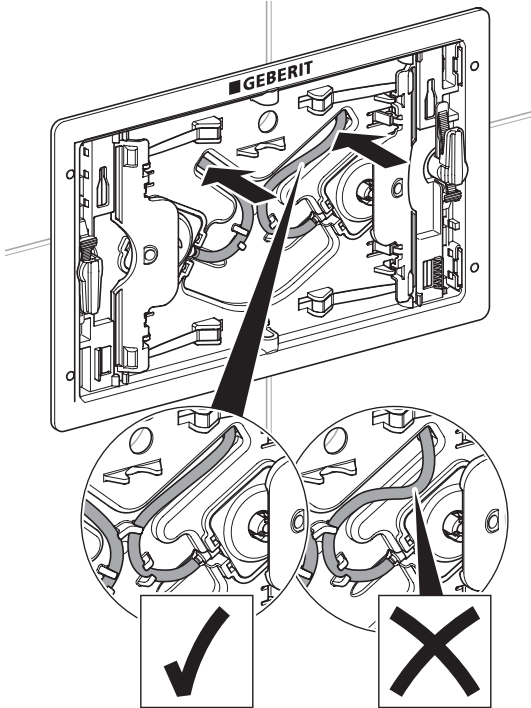
21



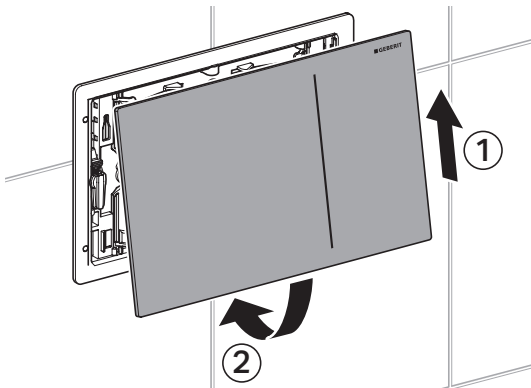
22



23

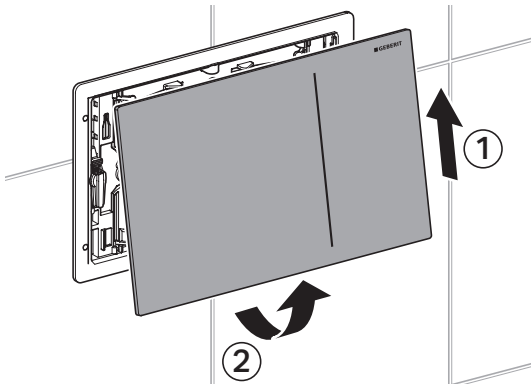


24

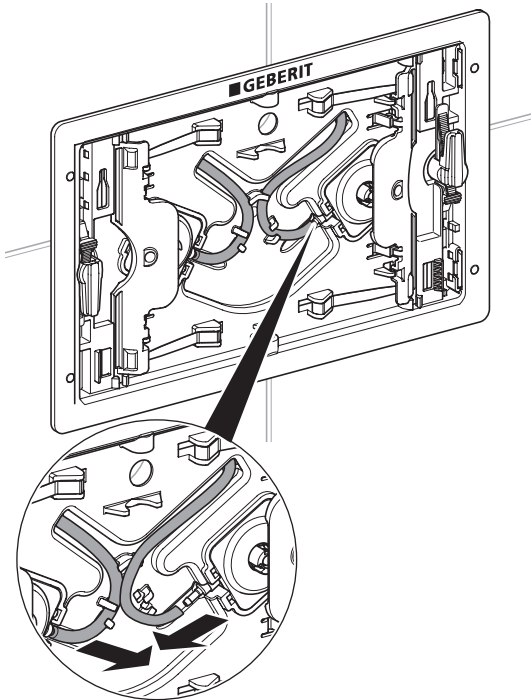


# Replacing the reinforced braided hose

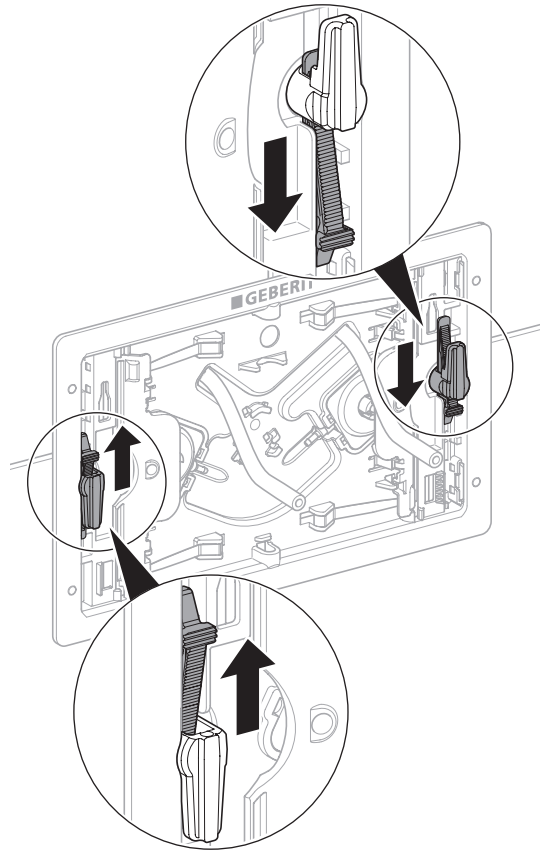
1



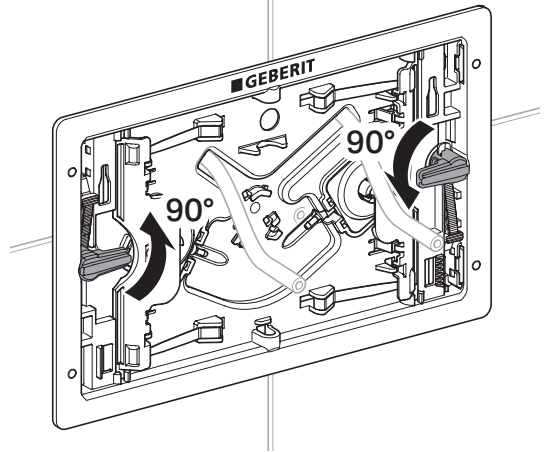
2



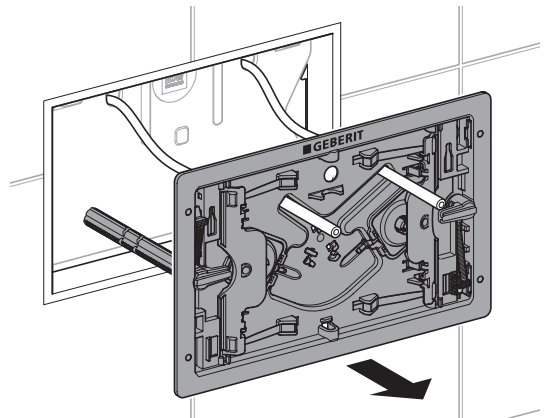
3



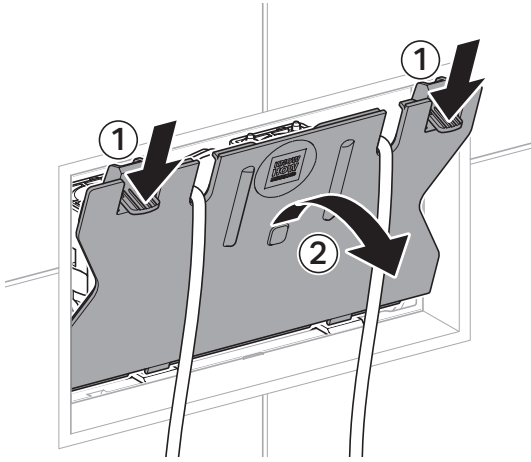
4



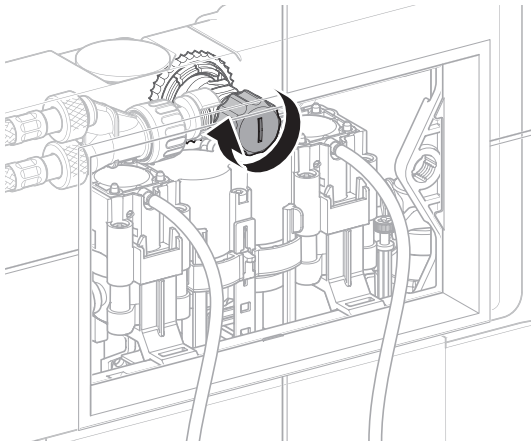
5



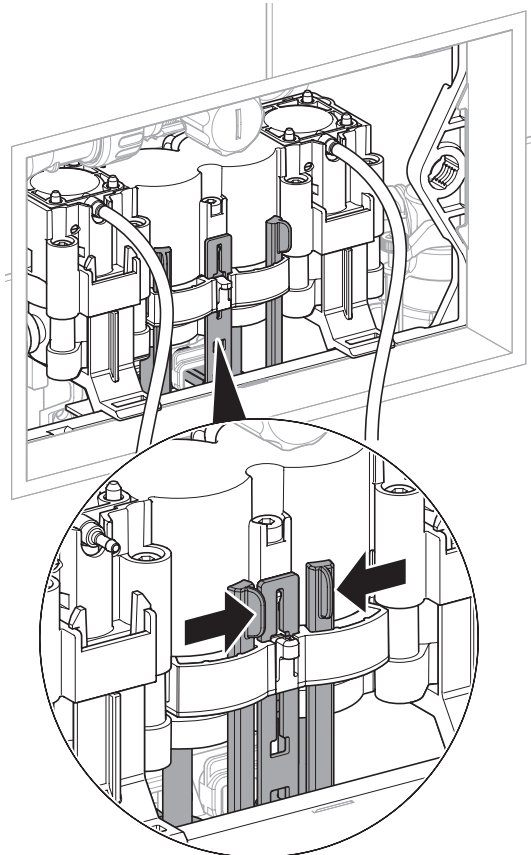
6



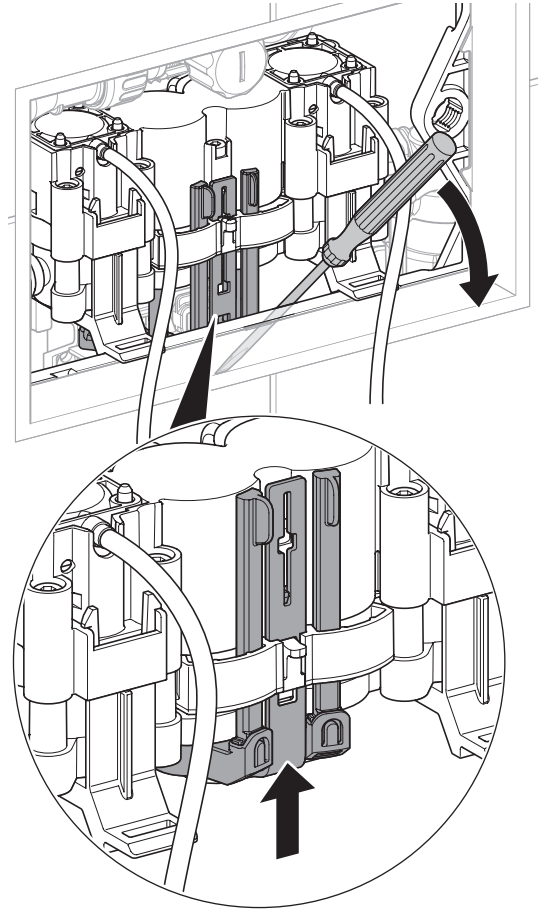
7



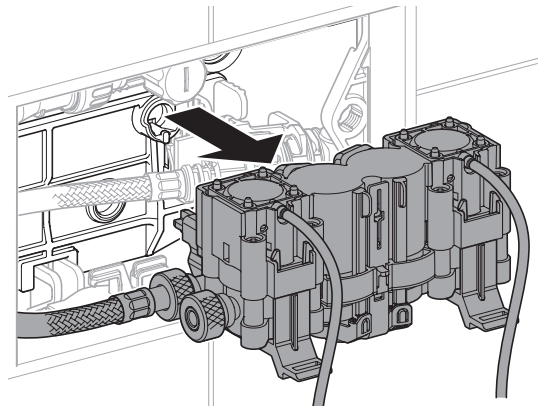
8



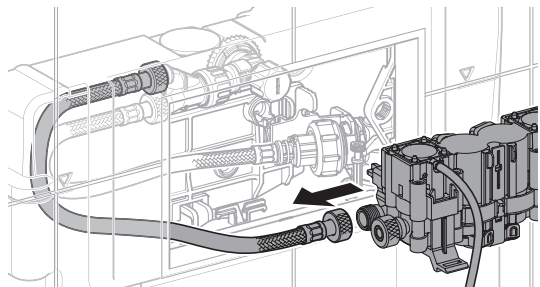
9



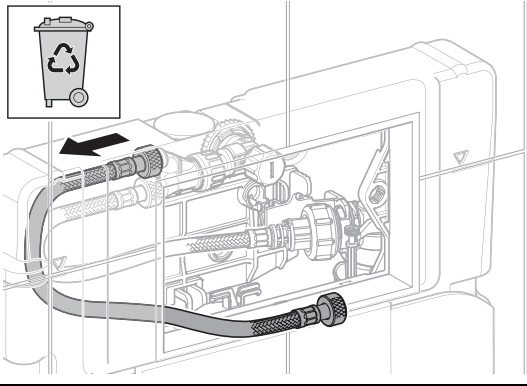
10



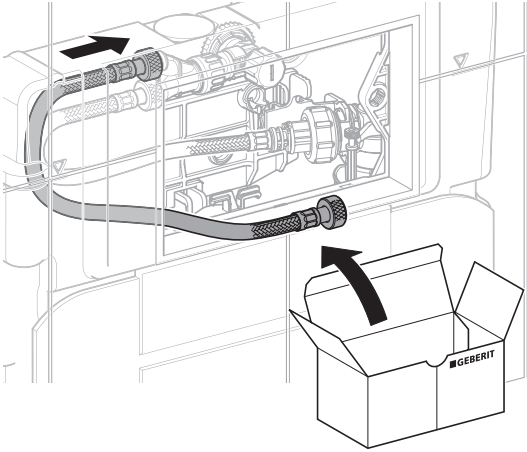
11



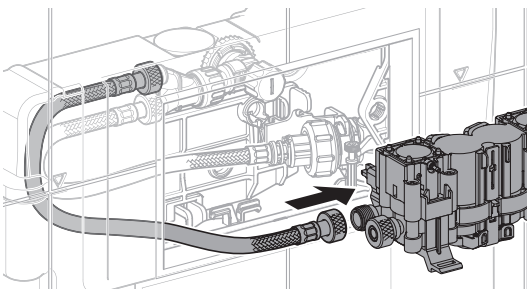
12



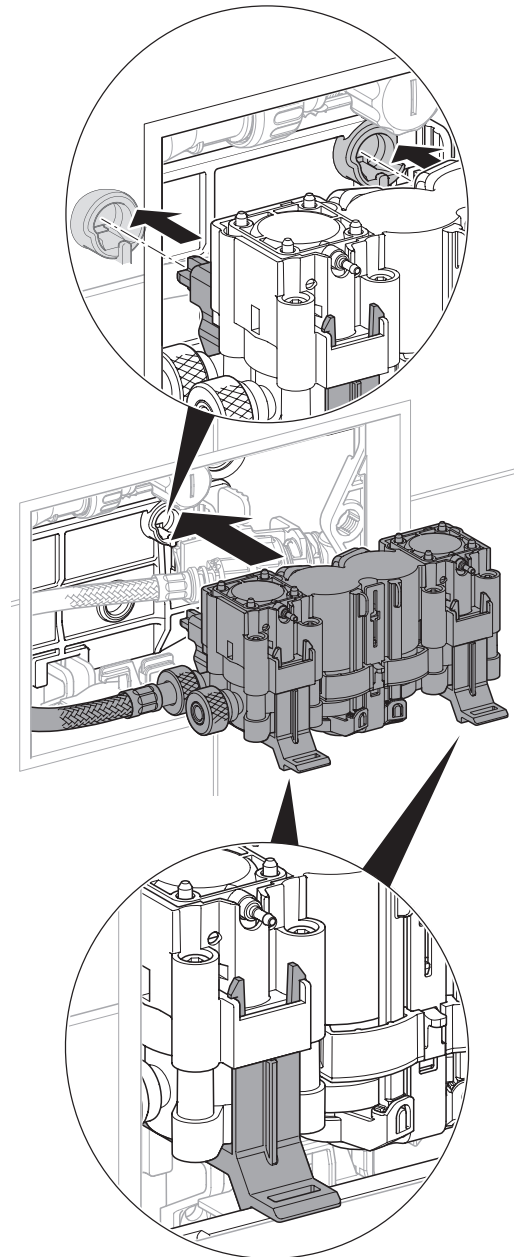
13



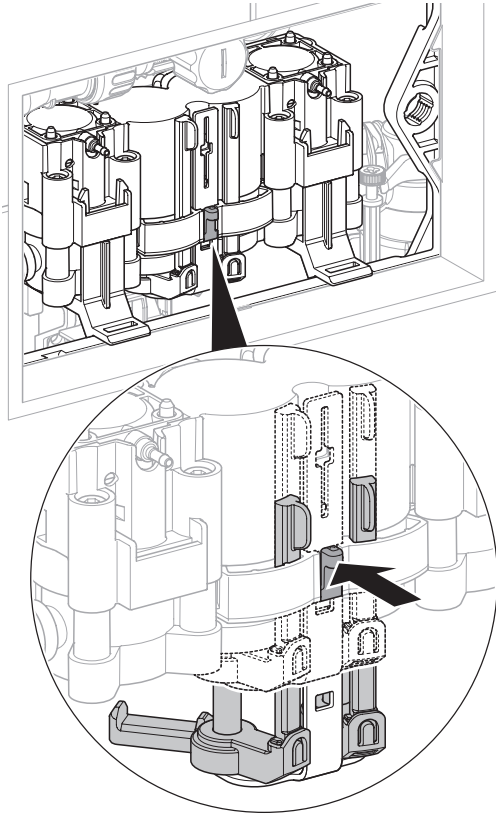
14



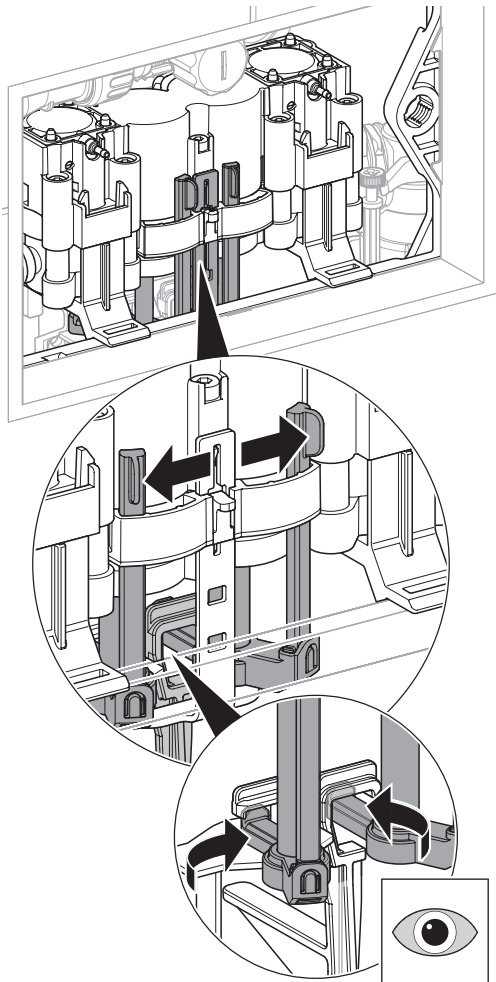
15



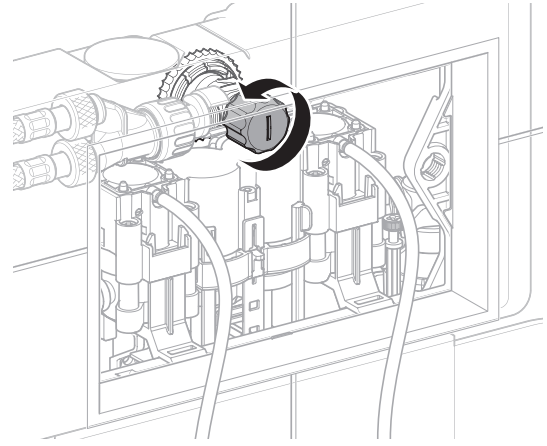
16



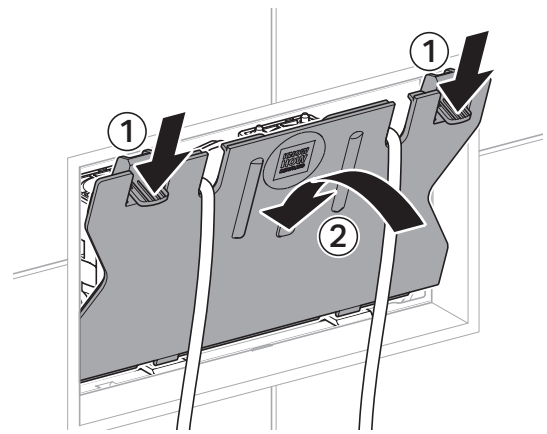
17



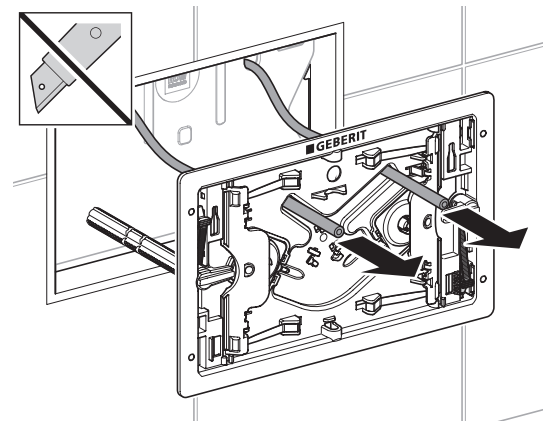
18



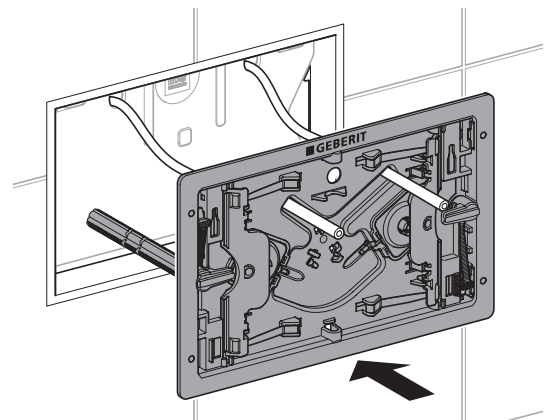
19



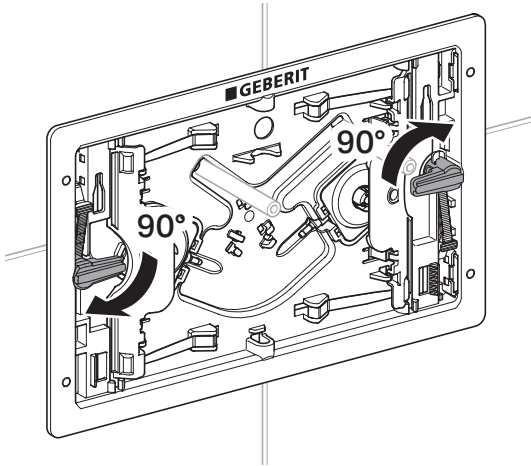
20



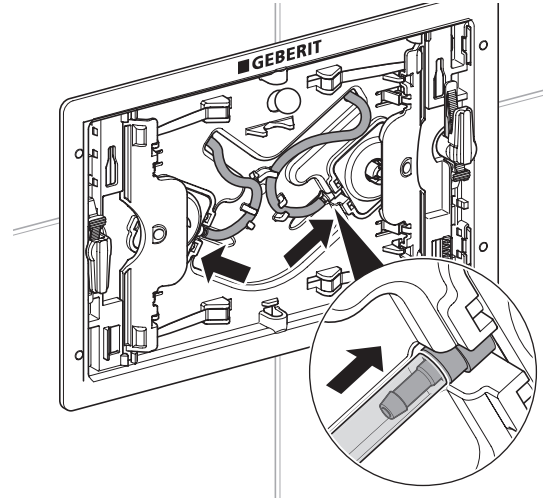
21



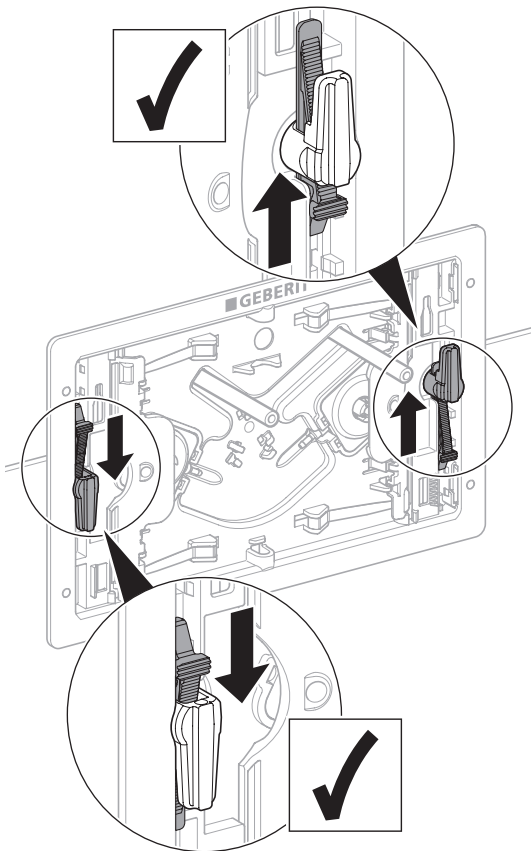
22



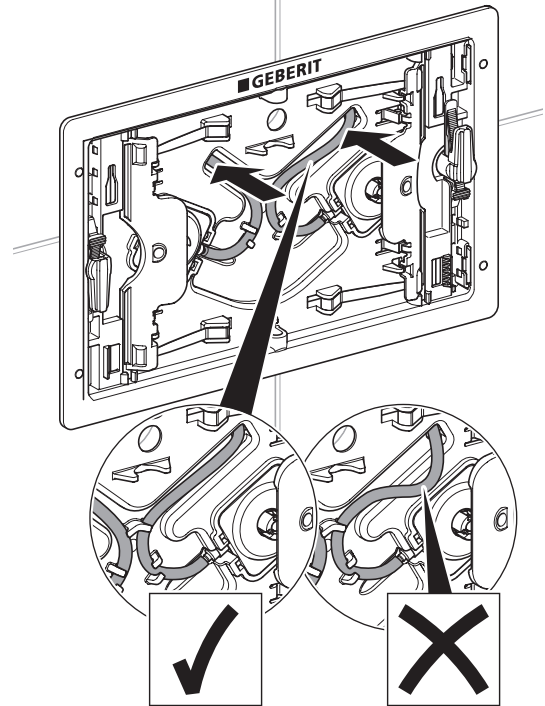
25



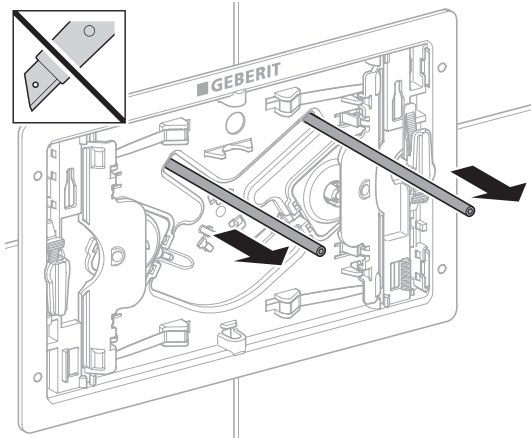
23



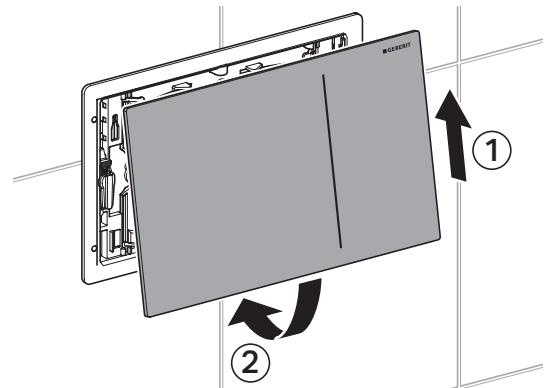
26



24

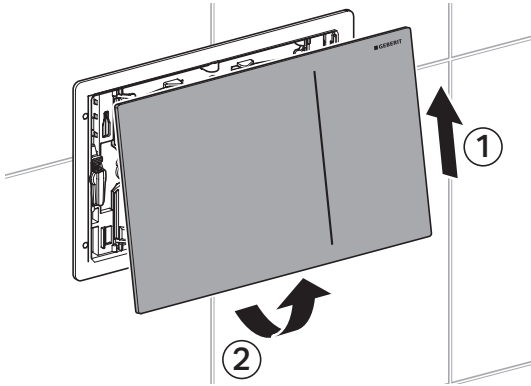


27

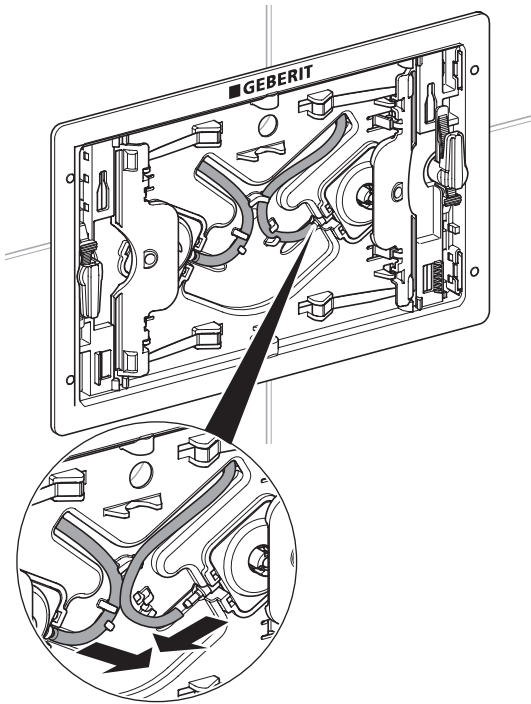


Replacing the pneumatic hose

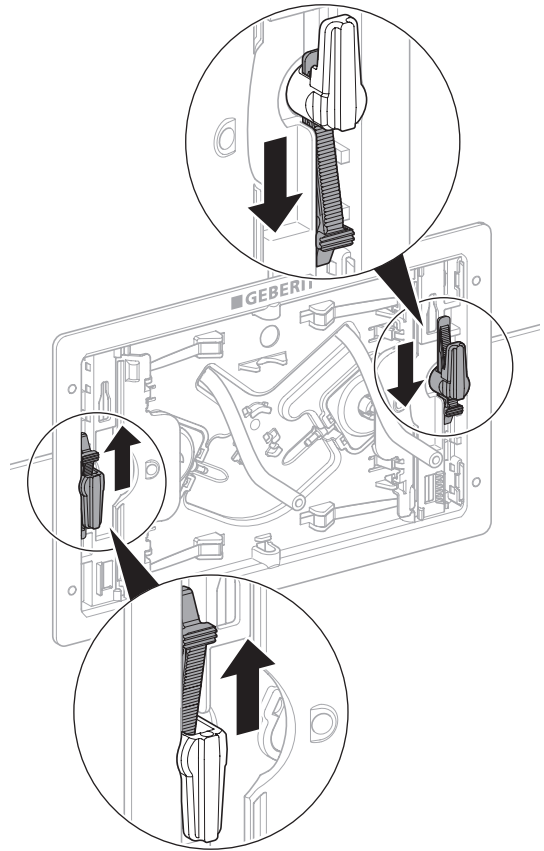
1



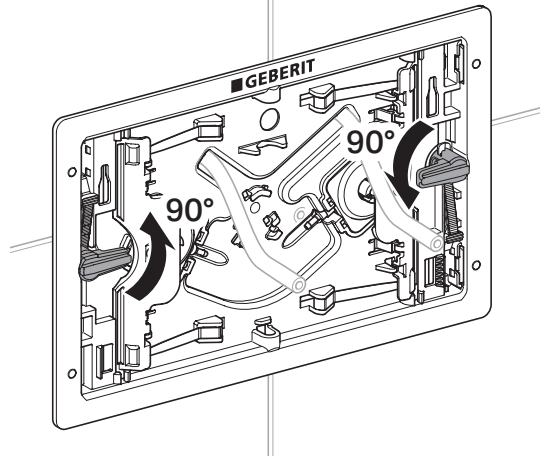
2



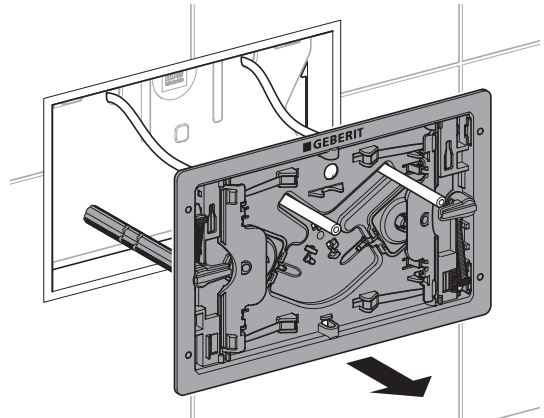
3



4

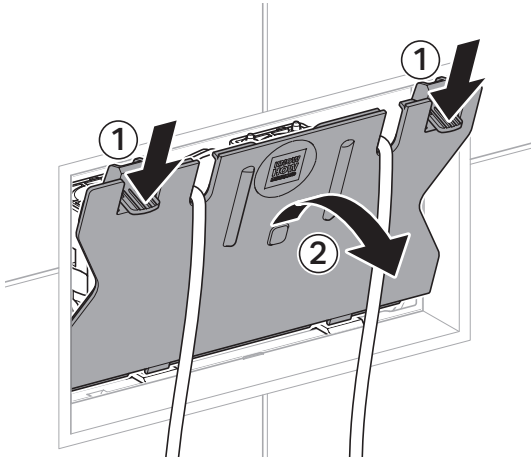


5

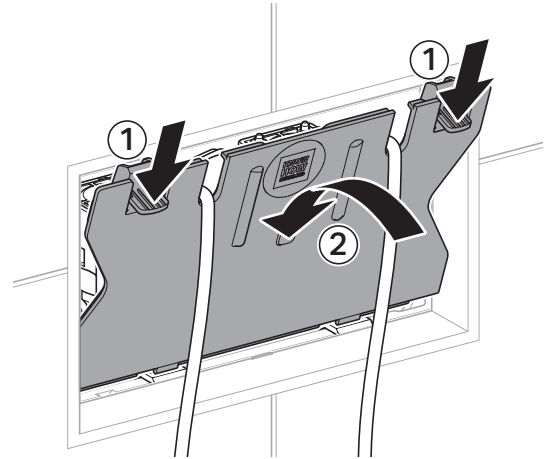




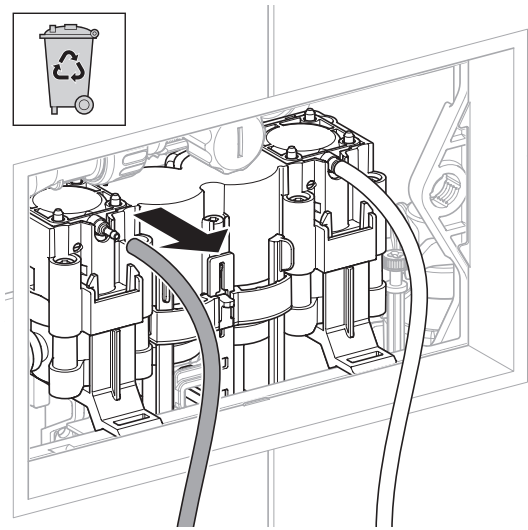
6



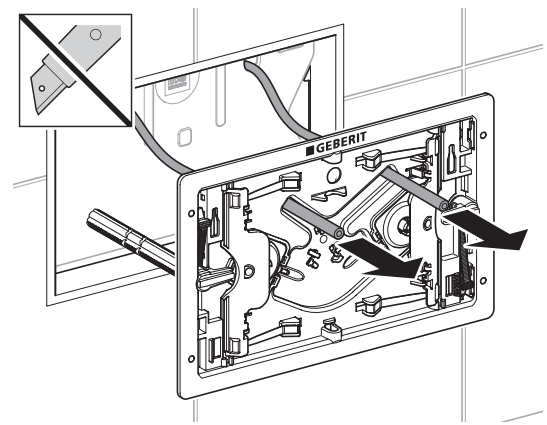
9



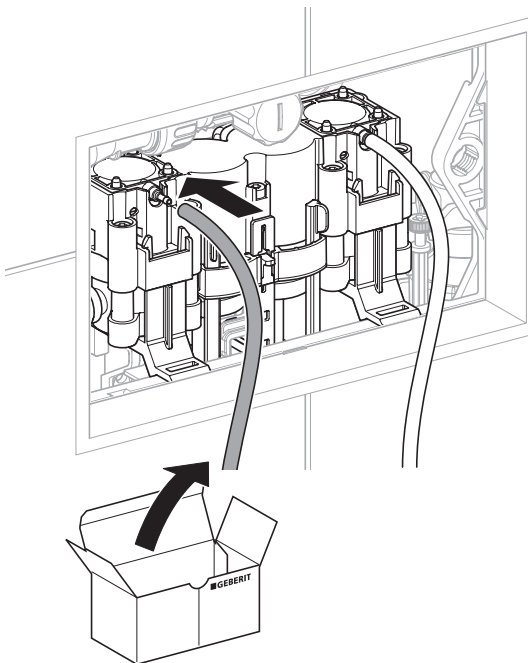
7



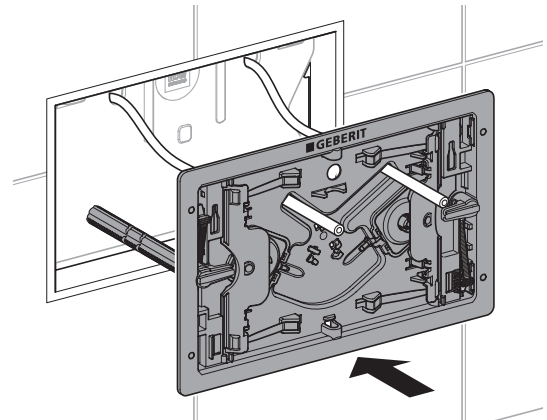
10



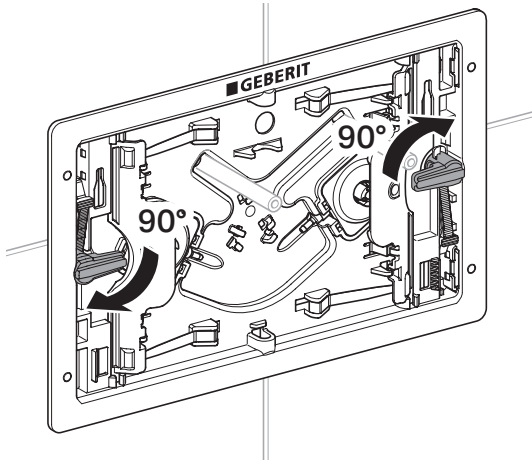
8



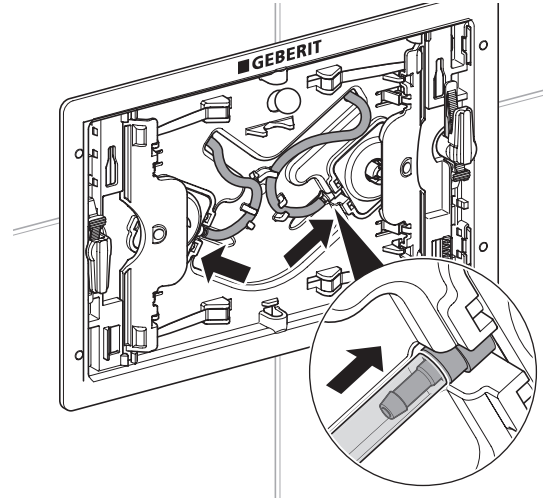
11



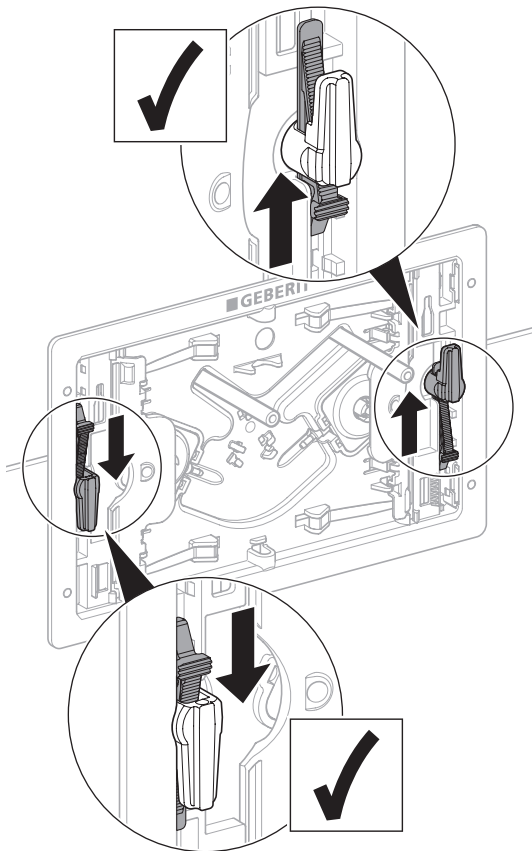
12



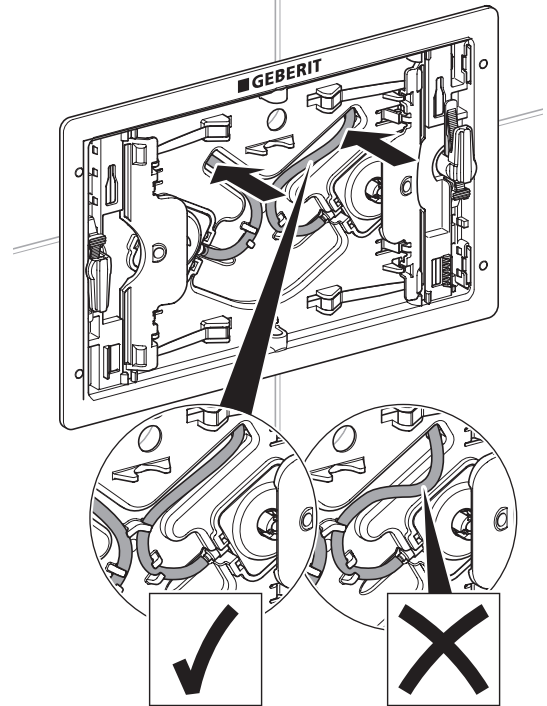
15



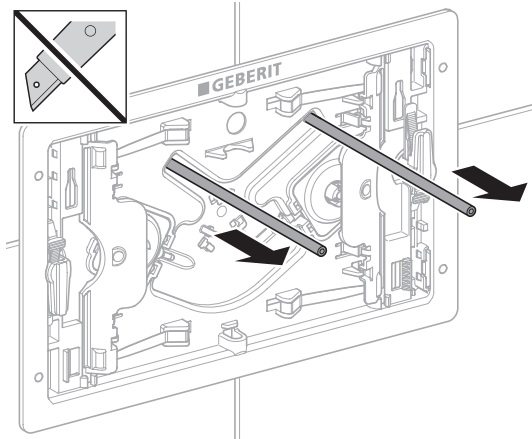
13



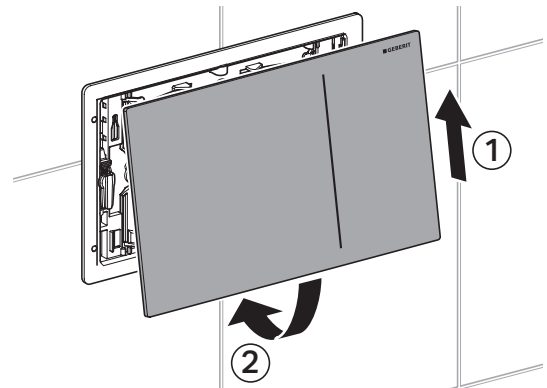
16



14

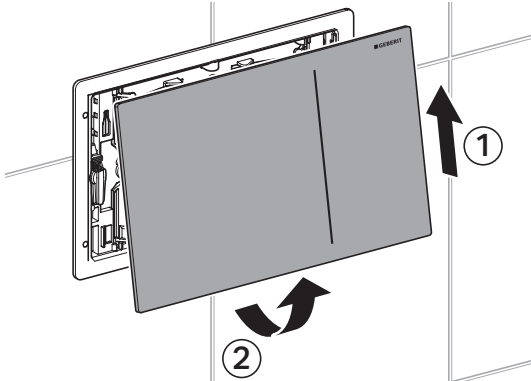


17

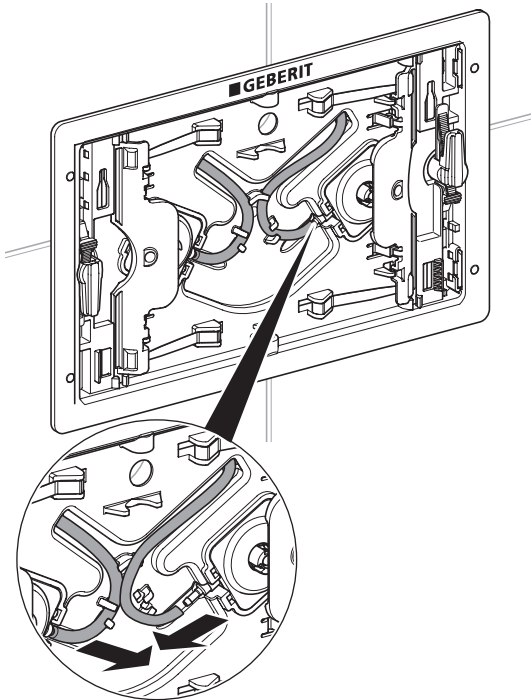


# Moving the piston on the servo lifter

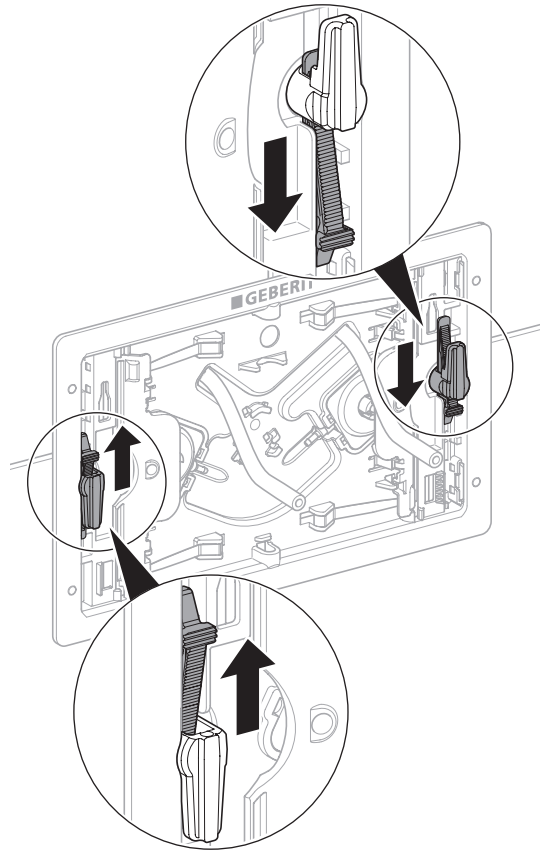
1



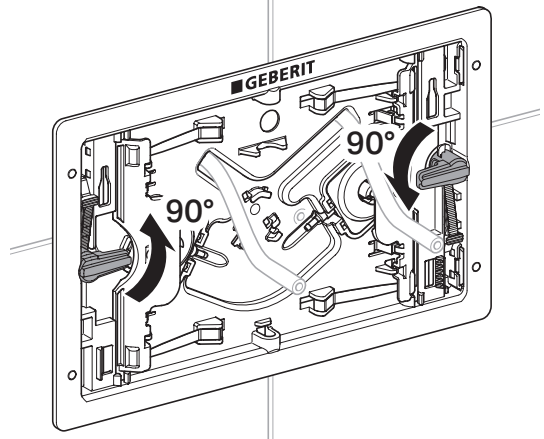
2



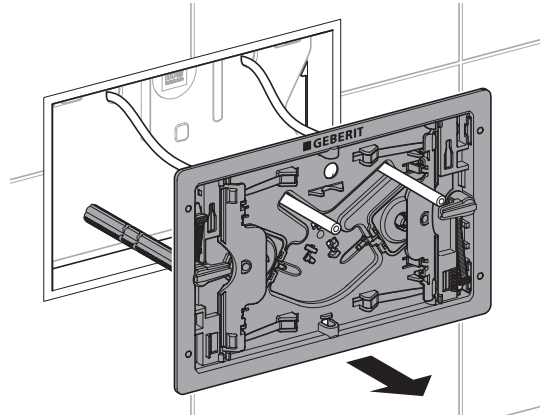
3



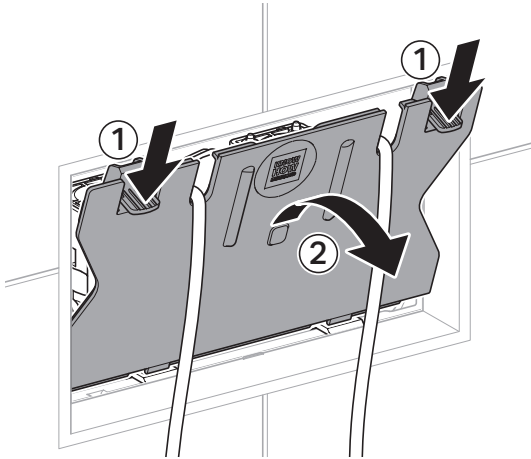
4



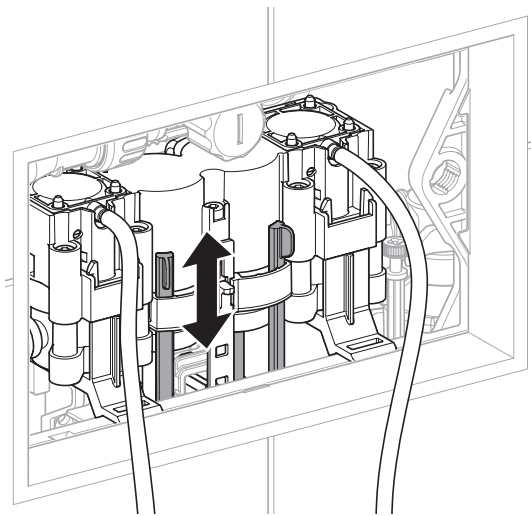
5



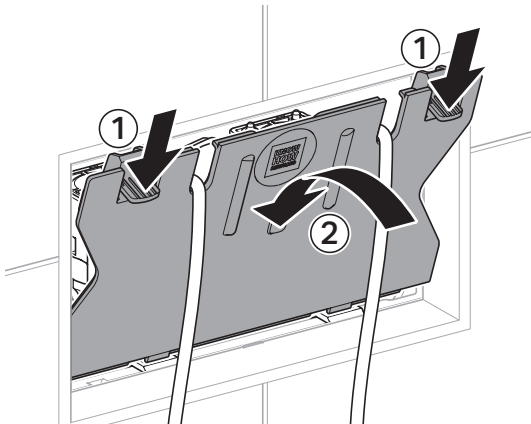
6



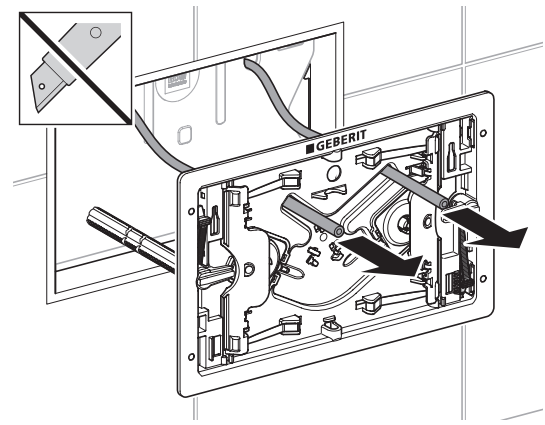
7



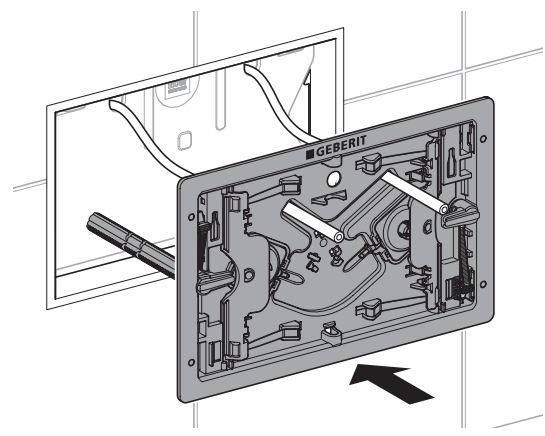
8



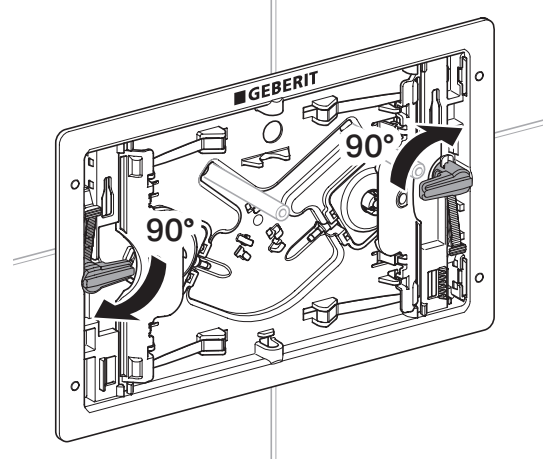
9



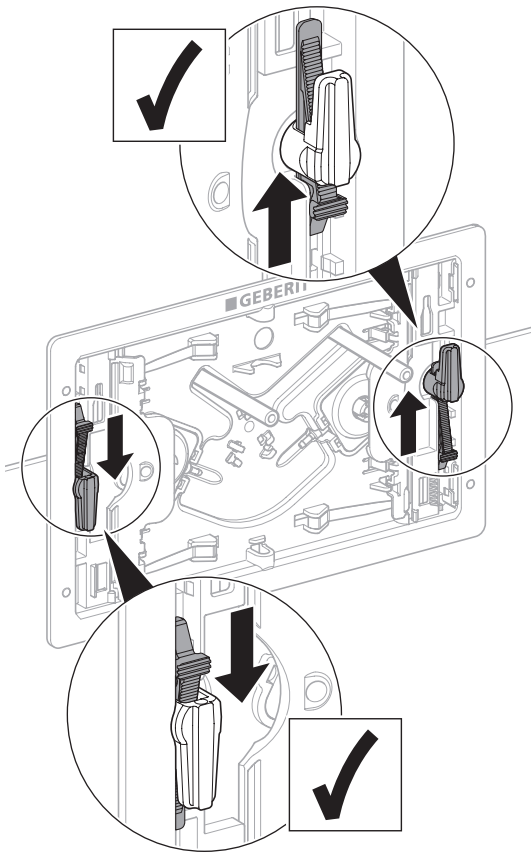
10



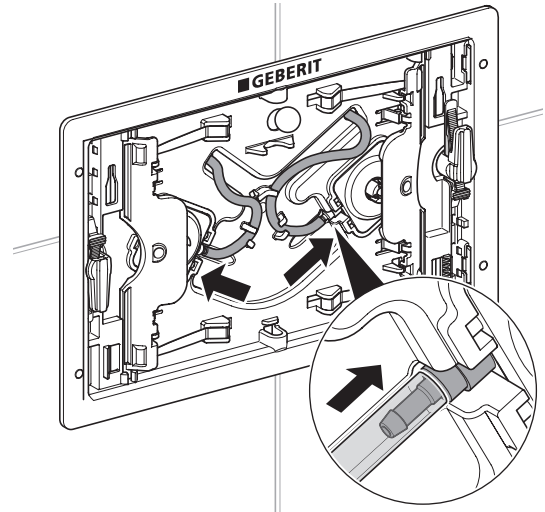
11



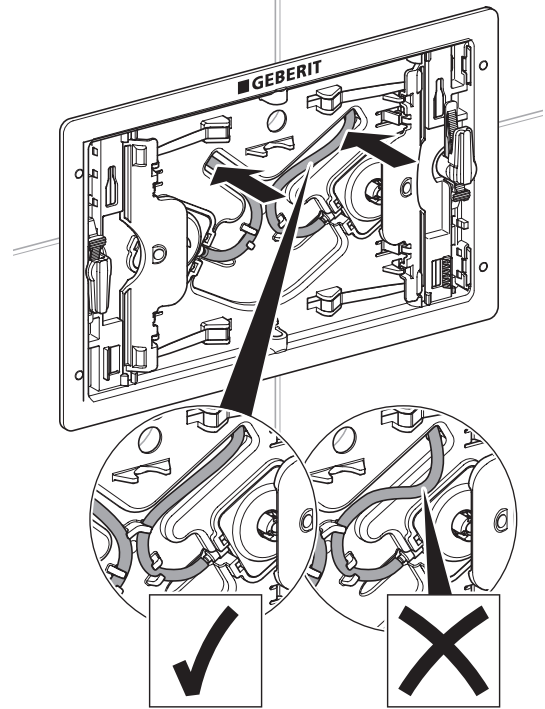
12



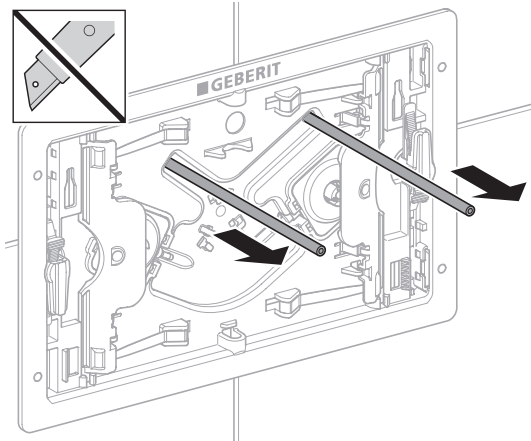
14



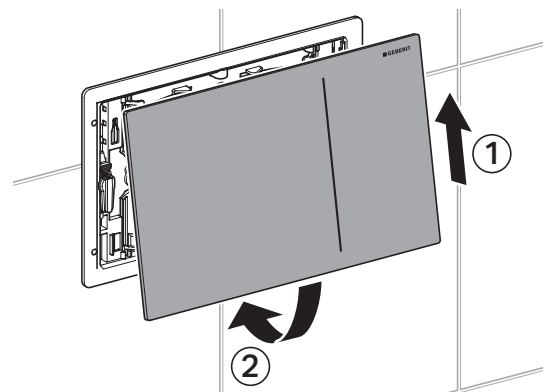
15



13

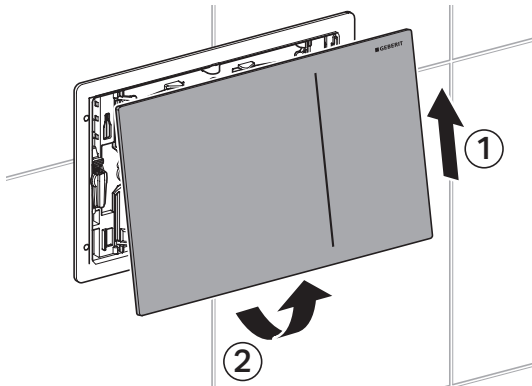


16

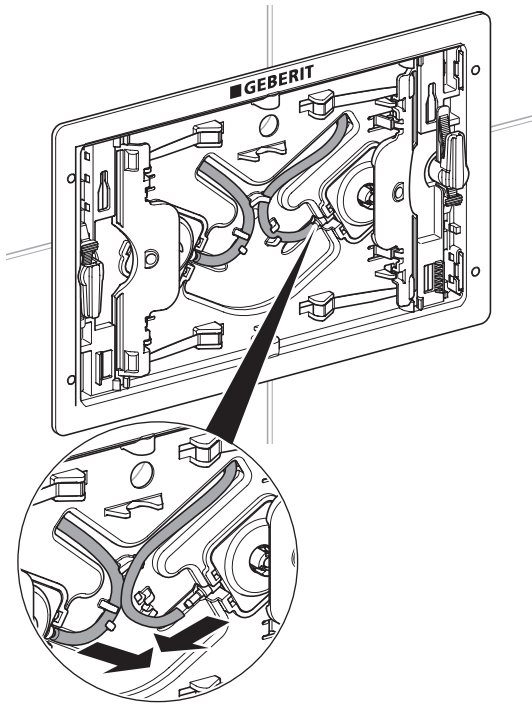


Rinsing the servo lifter

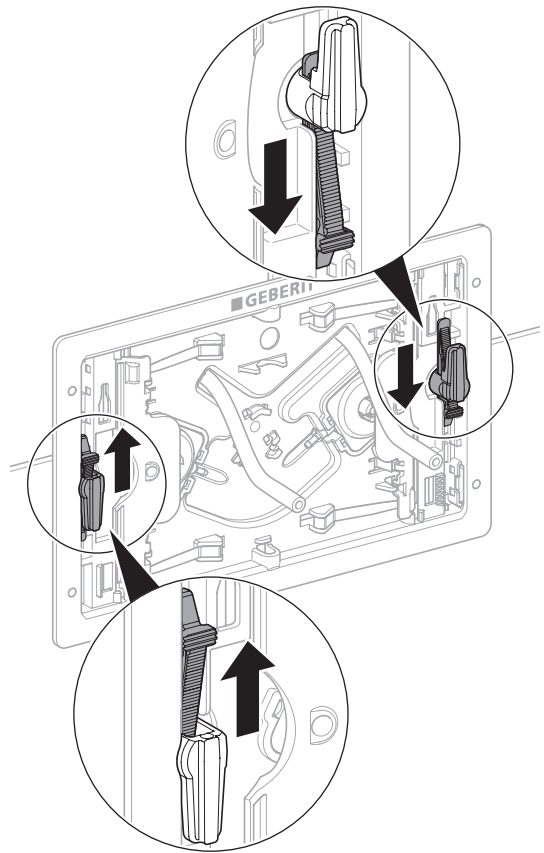
1



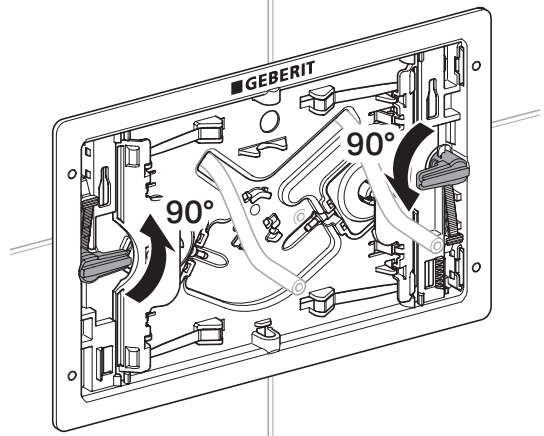
2



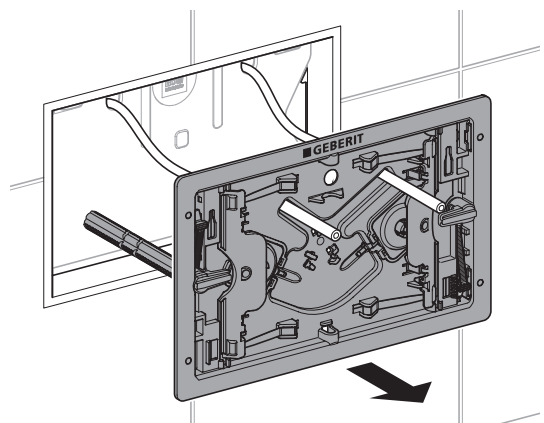
3



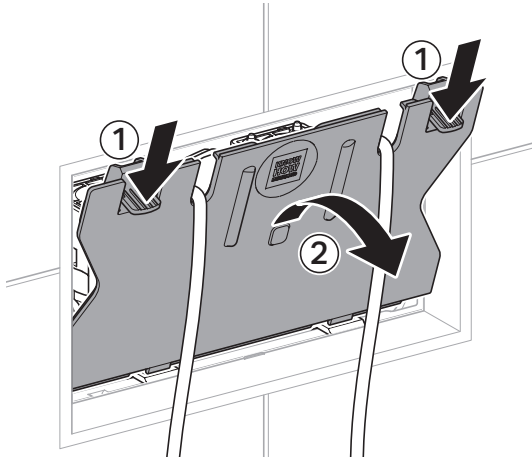
4



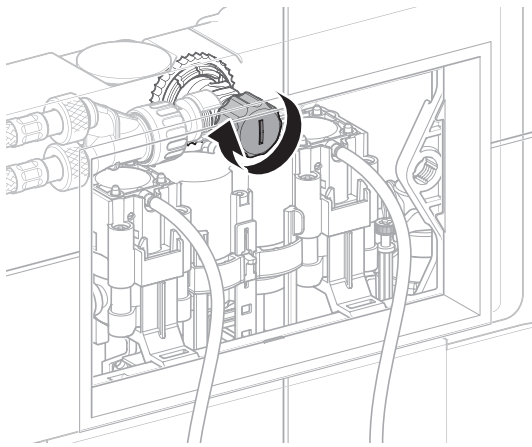
5



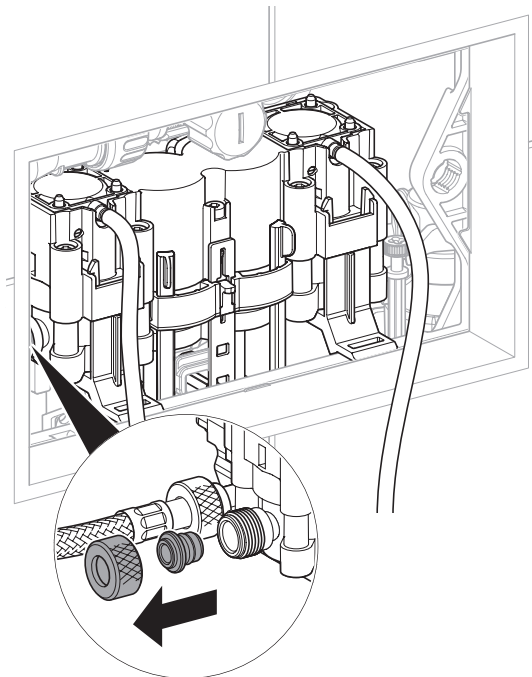
6



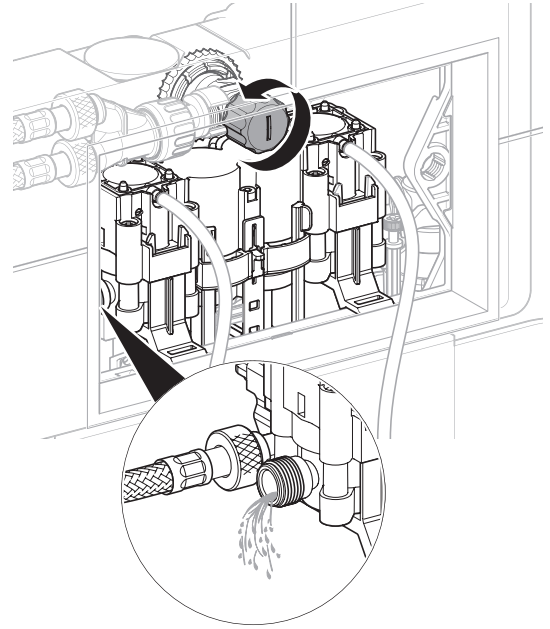
7



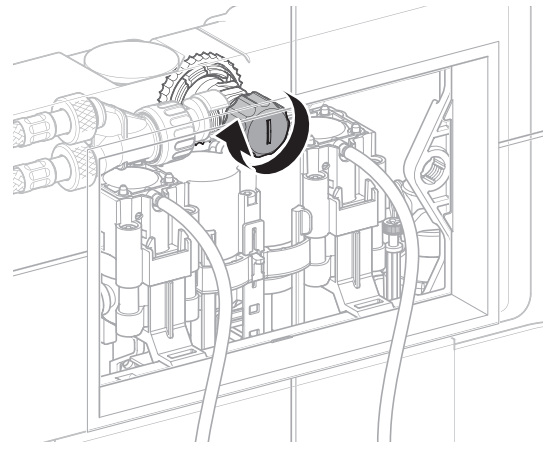
8



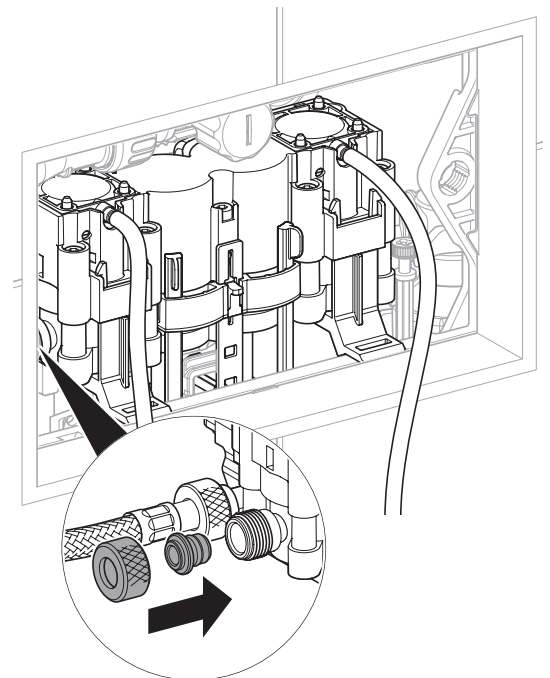
9



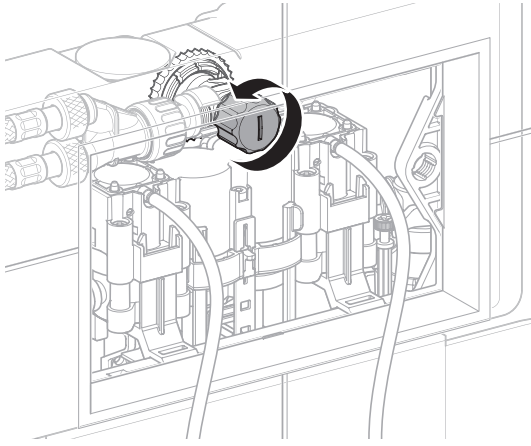
10



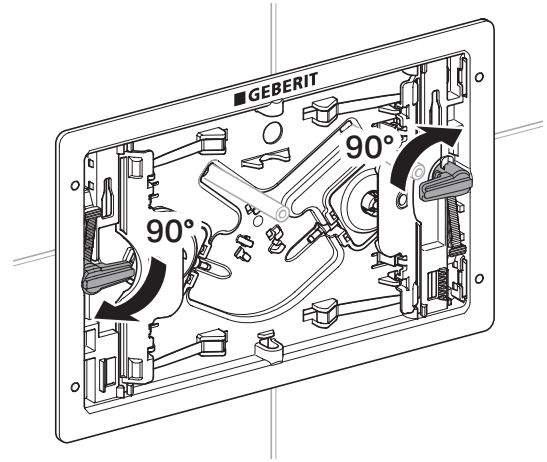
11



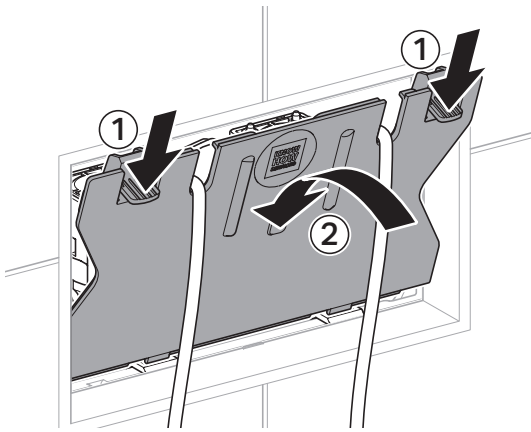
12



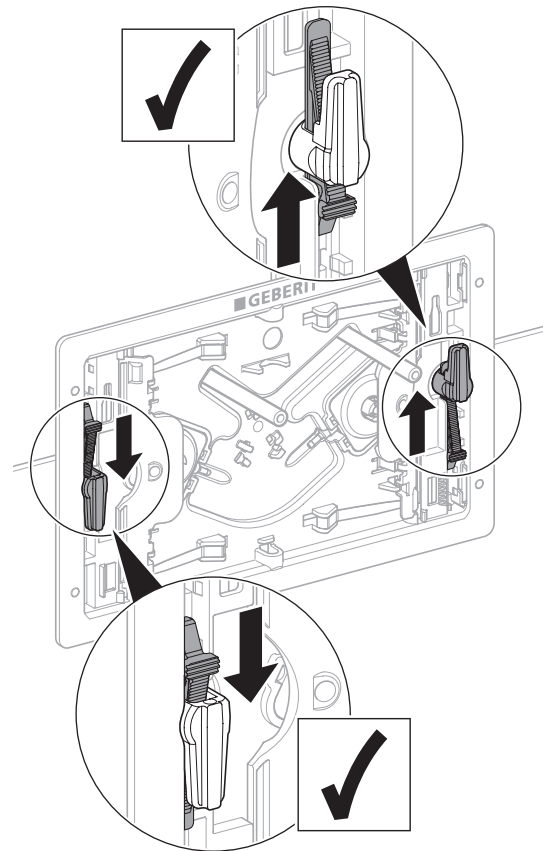
16



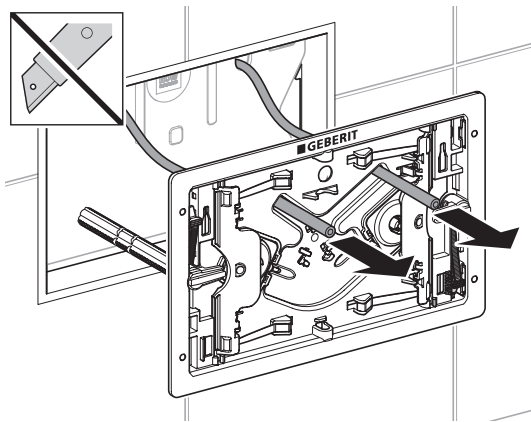
13



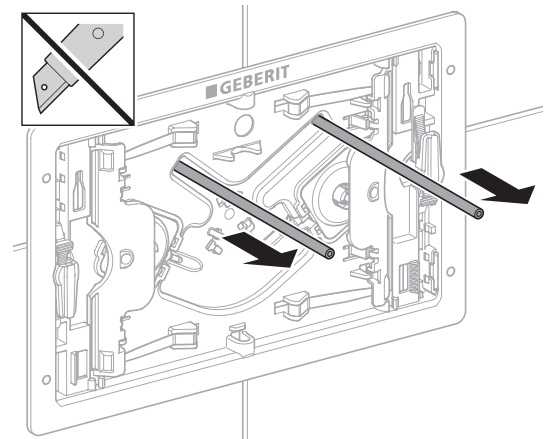
17



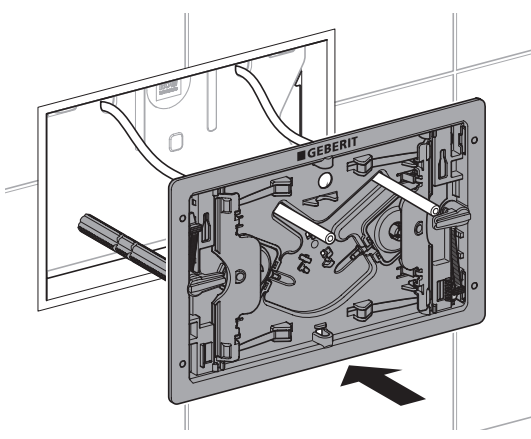
14



18

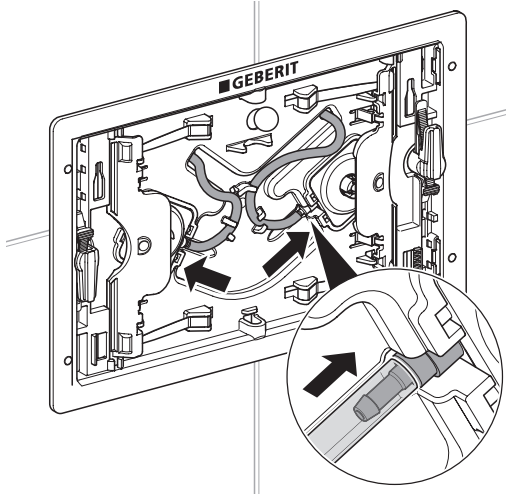


15

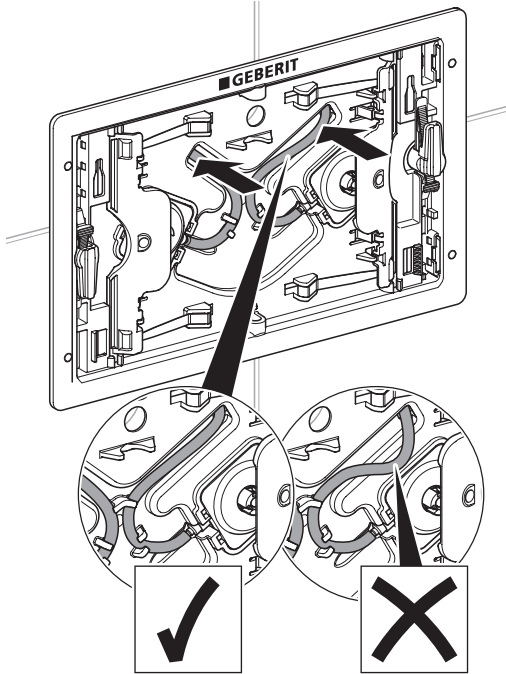




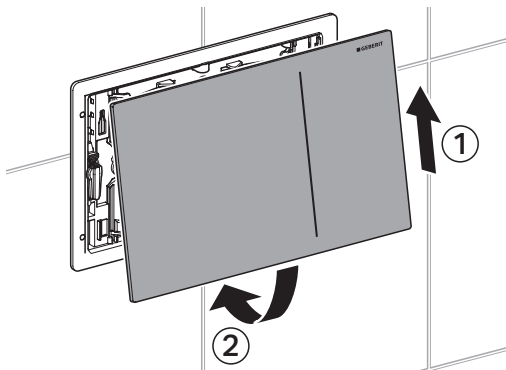
19



20

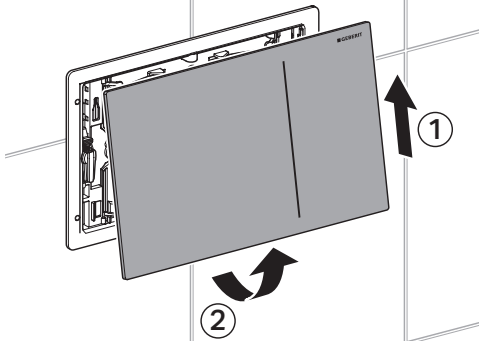


21

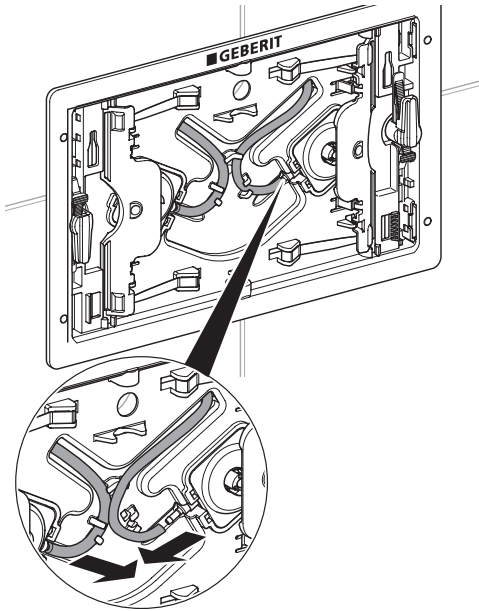


Replacing the servo lifter

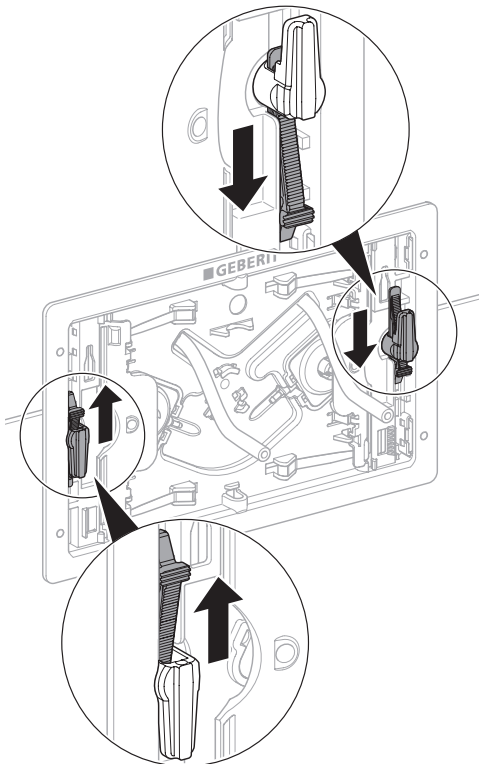
1



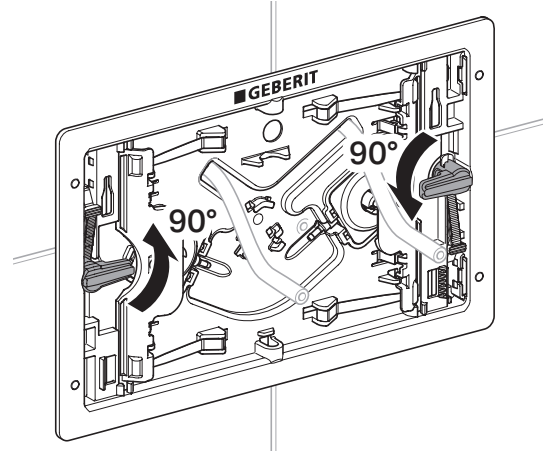
2



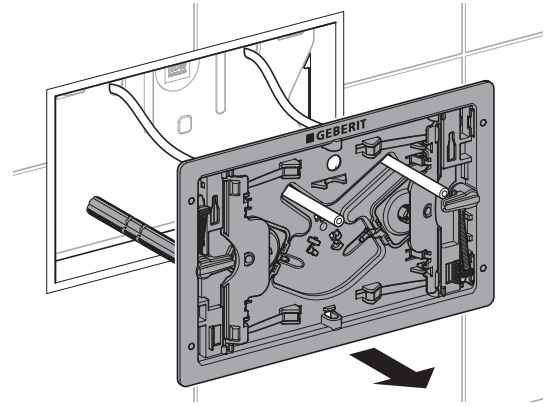
3



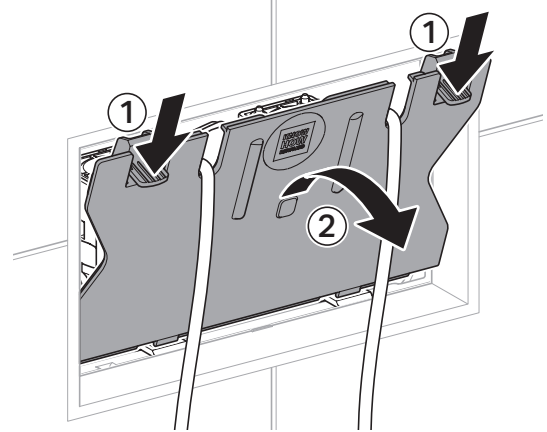
4



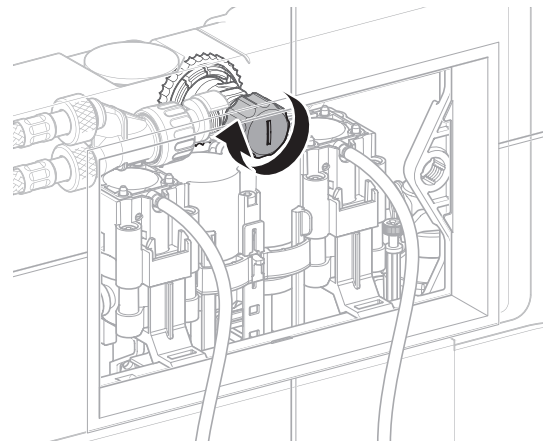
5



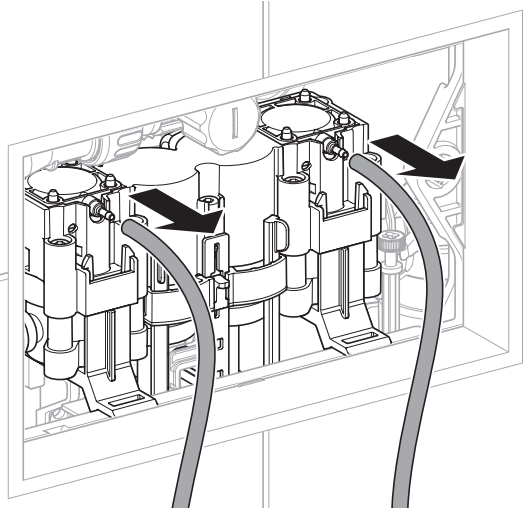
6



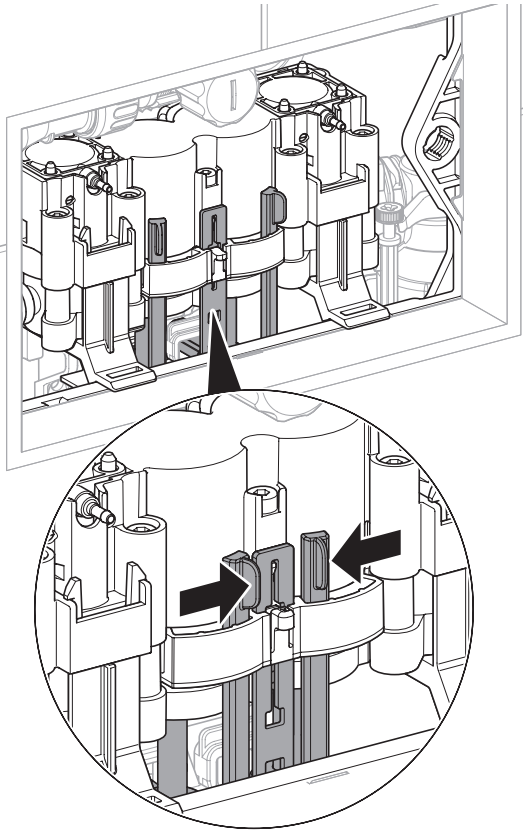
7



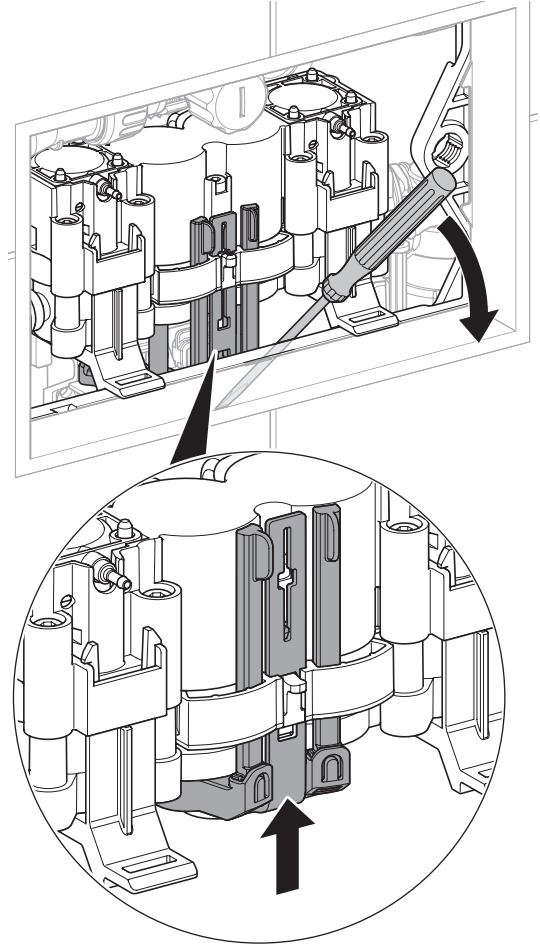
8



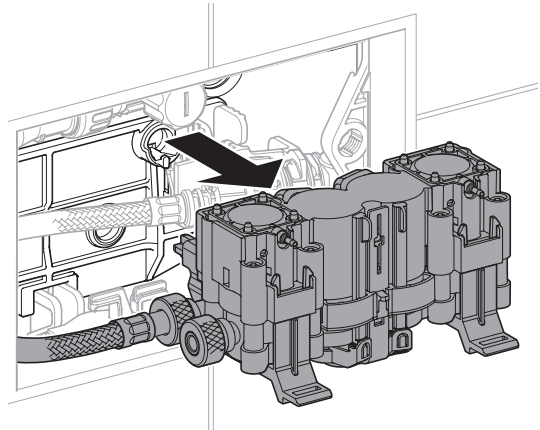
9



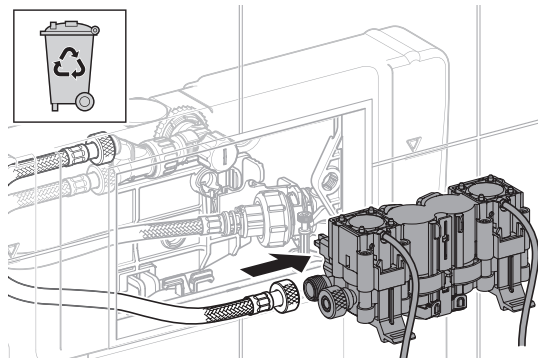
10



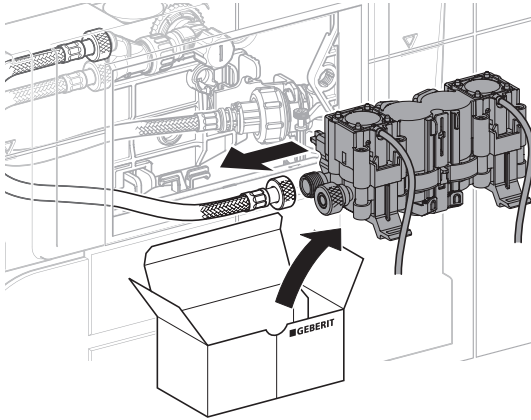
11



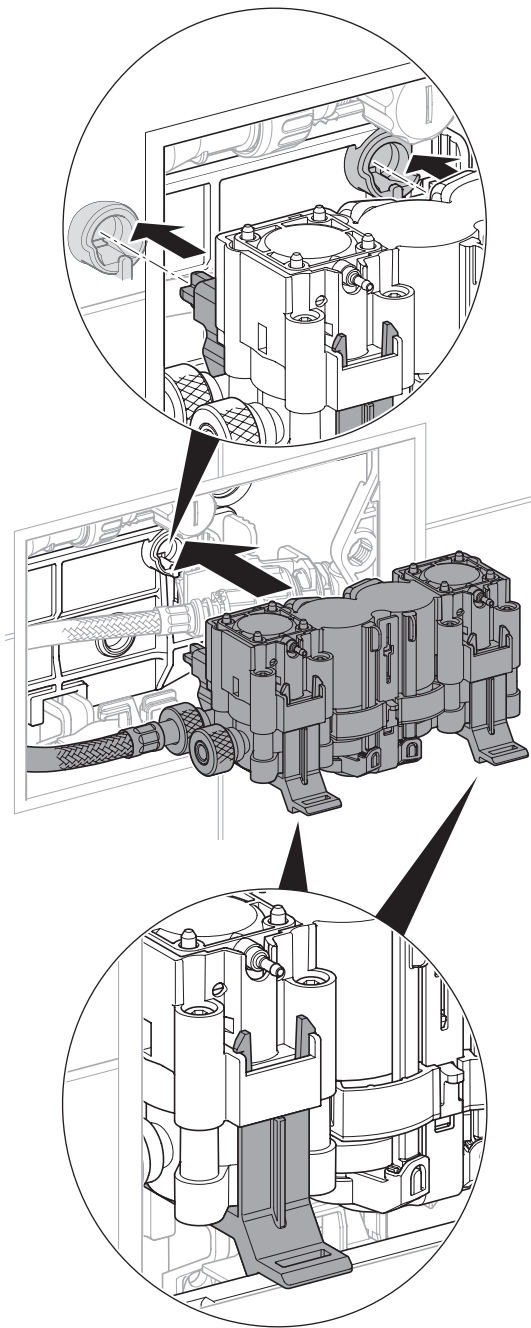
12



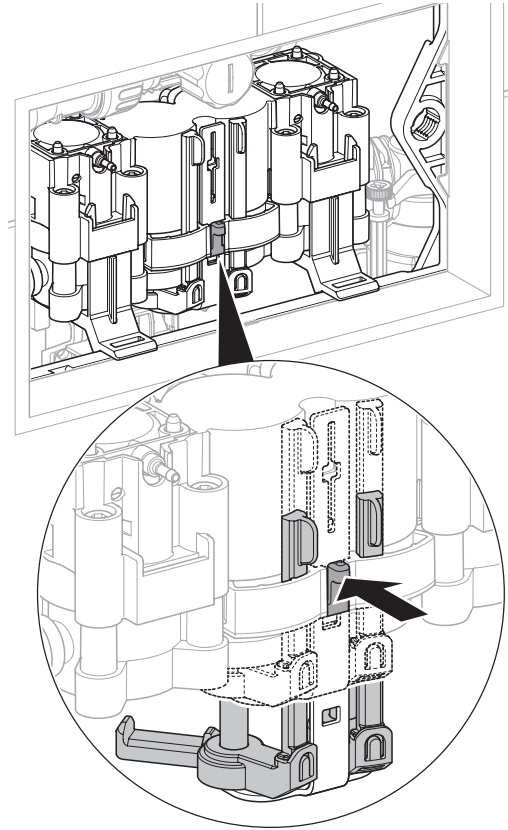
13



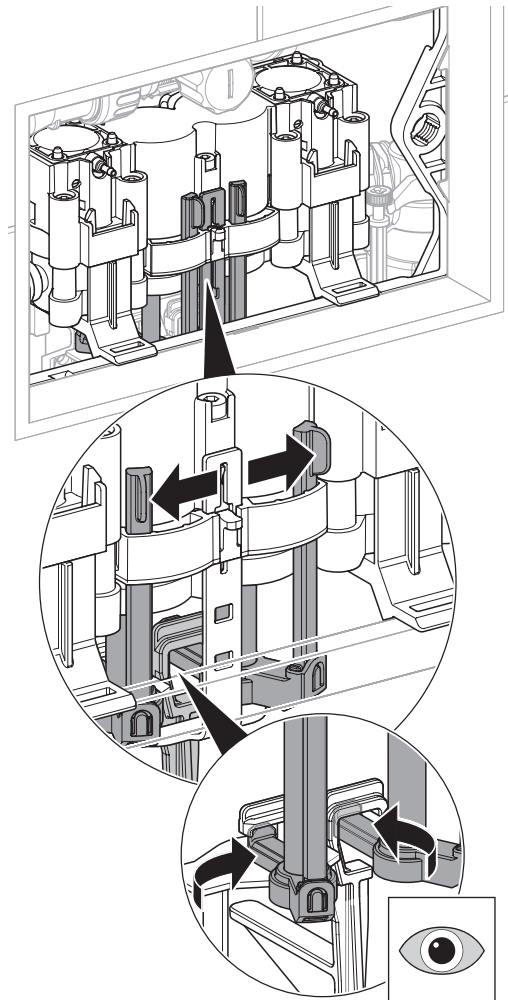
14



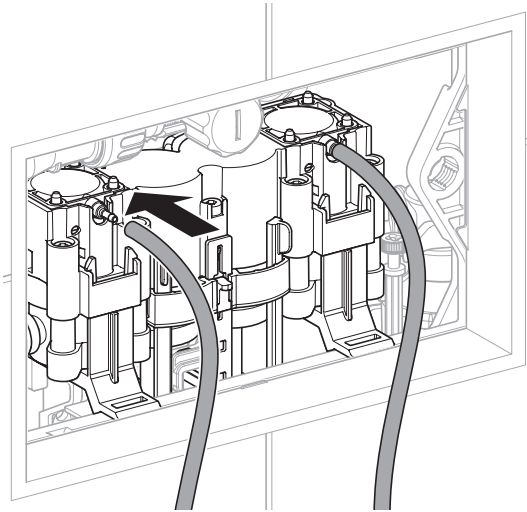
15



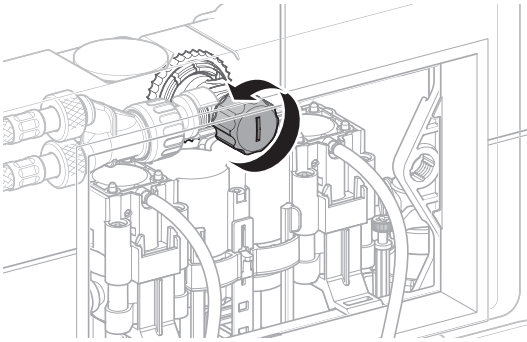
16



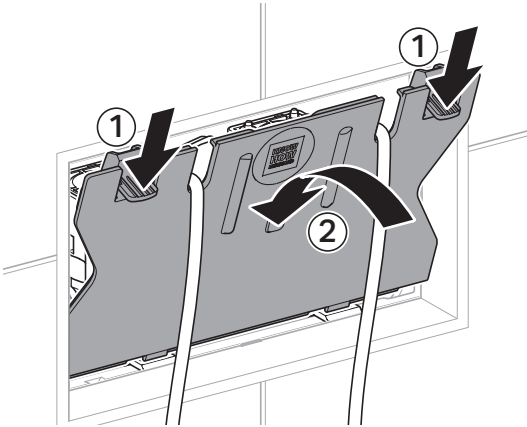
17



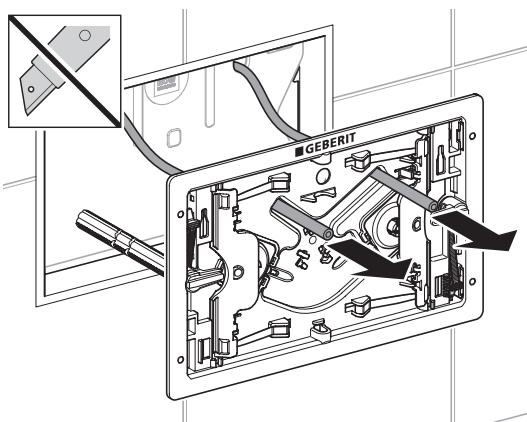
18



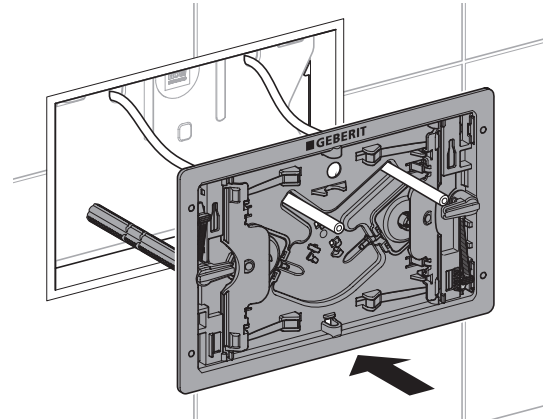
19



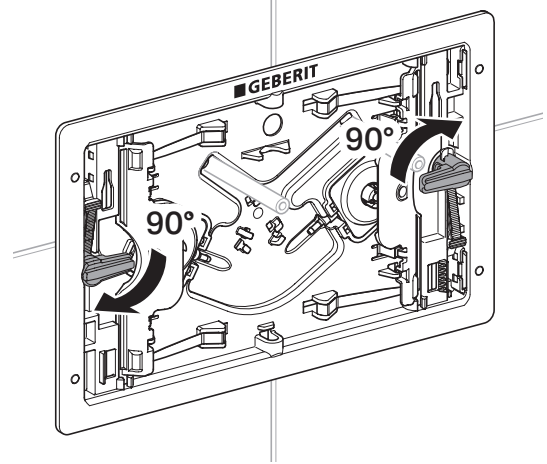
20



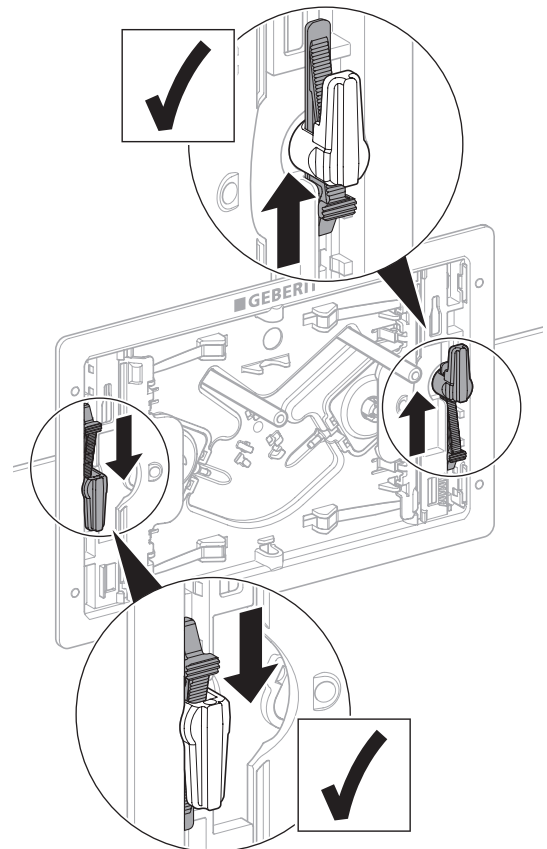
21



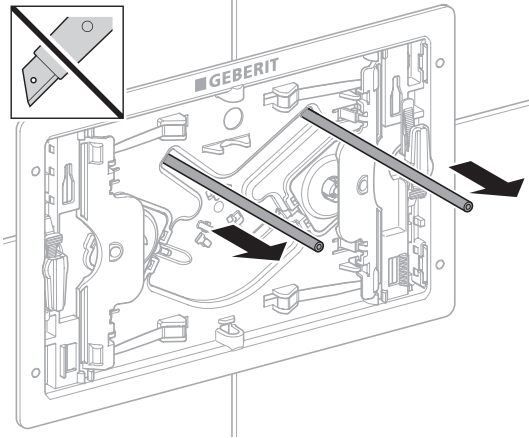
22



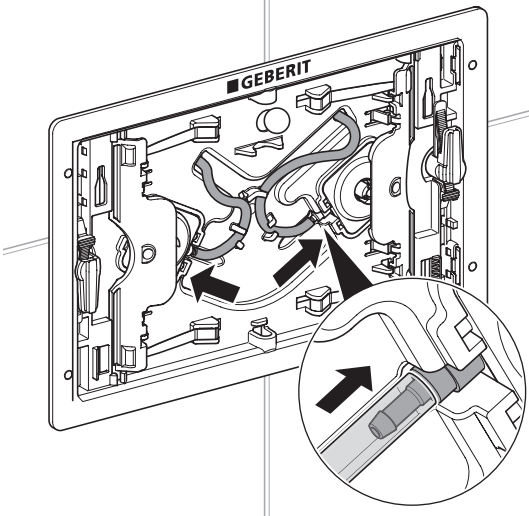
23



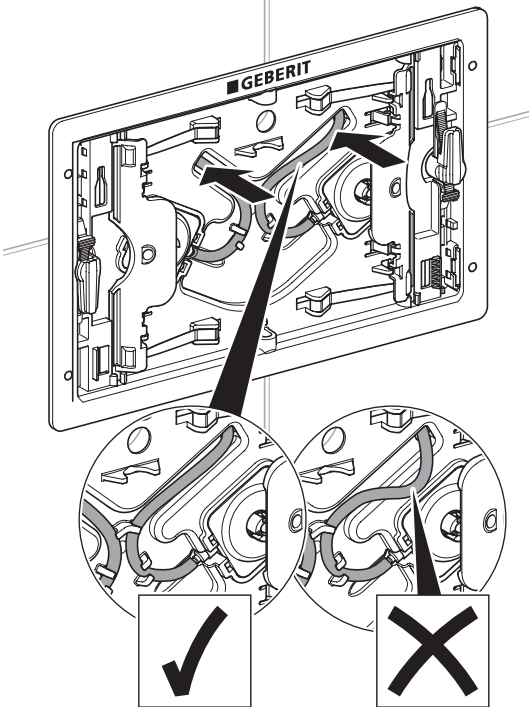
24



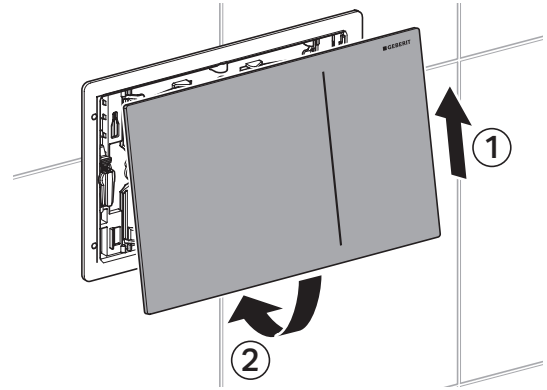
25



26

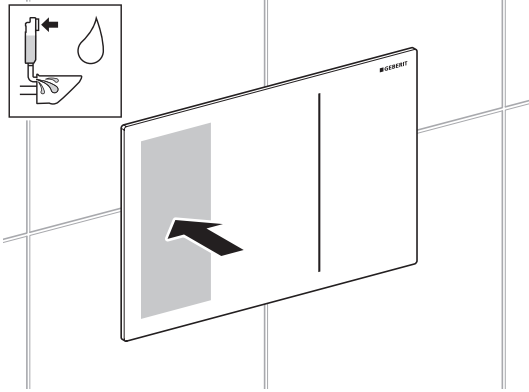


27

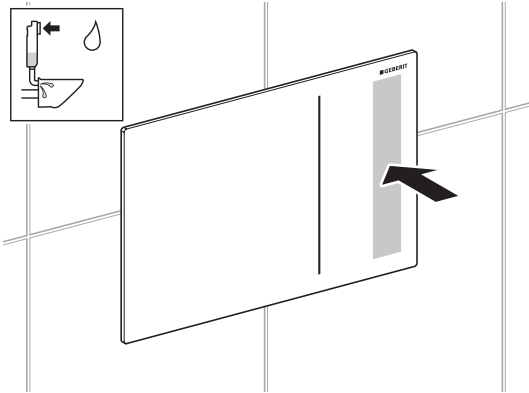


# Checking the operability

1



2



**Geberit International AG**  
**Schachenstrasse 77**  
**CH-8645 Jona**

**T +41 55 221 63 00**  
**F +41 55 221 63 16**  
**documentation@geberit.com**

**→ [www.geberit.com](http://www.geberit.com)**