

GEBERIT INSTALLATION SYSTEM

0.5 GPF (1.9 LPF) Wall-Hung Urinals

SPECIFICATIONS

In-Wall Duofix concealed carrier system with actuator flush panel for residential 2-hole wall-hung urinals. System shall fit within 3" (75 mm) framing wall or plumbing chase. Framing members should provide support similar to 2" x 6" (51 mm x 152 mm) wood construction or steel framing members placed 19³/₄" (500 mm) apart. Water supply shall have flow diameter no smaller than 1/2" (13 mm) copper tube, and a minimum flow pressure of 15 PSI (0.10 MPa). The urinal shall be a third party listed maximum 0.5 GPF (1.9 LPF) 2-hole wall-hung type. The carrier frame shall be

adjustable. Actuator flush panels shall be die-cast zinc, molded plastic or fabricated stainless steel and plated to preserve material integrity. All components shall be compliant with applicable codes and product standards.

FEATURES

- Water consumption - 0.5 GPF (1.9 LPF)
- 16-gauge, powder-coated, structural-steel tubing rated to 110 lbs (50 kg) without damage to finished wall or carrier unit
- 44¹/₁₆" (1119 mm) frame height depending on urinal
- Installation hardware included

Complies with the latest editions of:

- ASME: A112.6.2
- ASSE 1037
- CSA B125.3

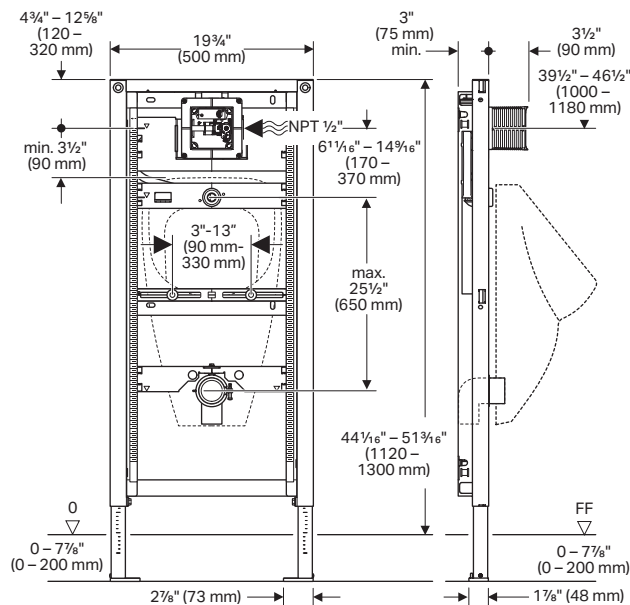
WARRANTY

- Limited lifetime warranty on flush valve and carrier. One-year warranty on actuator flush plates

NOTES:

1. Carrier for 2-hole "Euro" style wall-hung urinal fixtures only
2. ASSE 1001 Certified Atmospheric Vacuum Breaker included.
3. Not intended to be sold in California unless paired with 0.125 GPF or less Geberit urinal flush control.
4. Refer to geberit.us for latest list of code-approved compatible urinal fixtures.

Model No.	Description
111.625.00.1	Carrier frame with rough-in box



Products marked with comply with the American Disabilities Act (ADA) when installed per the requirements of the latest ADA Accessibility Guidelines (ADAAG) and/or ICC/ANSI A117.1.



Geberit
2100 S. Clearwater Drive
Des Plaines, IL 60018
USA

P 847-803-7777
F 847-849-1845

www.geberit.us

ARCHITECT/ENGINEER APPROVAL	
Job Name:	_____
Date:	Quantity: _____
Model Specified:	_____
Variations Specified:	_____
Customer/Wholesaler:	_____
Contractor:	_____
Architect:	_____

GEBERIT INSTALLATION SYSTEM

COMPATIBLE 0.5 GPF (2 LPF) WALL-HUNG URINAL MODELS*

Brand Name	Model Number*	Model Name
Duravit	082135	Starck 3
	280930	ME by Starck

COMPATIBLE 0.125 GPF (0.5 LPF) WALL-HUNG URINAL MODELS*

Brand Name	Model Number*	Model Name
Laufen	840975	Il Bagno Alessi One

* Combination meets EPA WaterSense when combined with Geberit urinal carrier and with EPA WaterSense certified Geberit urinal flushometer controls.

Geberit
2100 S. Clearwater Drive
Des Plaines, IL 60018
USA

P 847-803-7777
F 847-849-1845

www.geberit.us

© 2022 Geberit. Product specifications subject to change without notice.