

GEBERIT SIGMA10 ACTUATORS

For Sigma Concealed Tanks, 2x6 and 2x4 Installations

SPECIFICATIONS

Actuators for concealed tank and carrier system. Actuator flush plates and push buttons shall be molded plastic, zinc die-cast, molded plastic or fabricated stainless steel and plated to guard against scratches. All components shall be compliant with applicable codes and product standards.

FEATURES

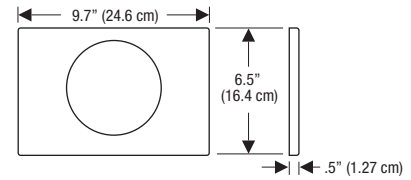
- Actuators designed to maintain appearance push after push
- Moving parts are accessible behind actuator flush plate
- Made of molded plastic, zinc die cast or stainless steel and plated
- Available in a variety of unique combinations of finish/color
- Touch free versions allow wireless remote setting, operation and monitoring via Geberit Connect smartphone app (via Bluetooth® enabled iOS or Android smartphones) or via Geberit Service Handy (via IR interface)
- Includes mounting frame and hardware

WARRANTY

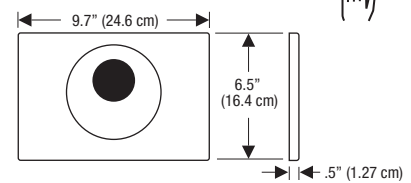
- One-year limited warranty on manual flush plates
- Brushed Stainless Steel flush plate finish: 5 years (residential); One year: public
- Electronic components: 2 years from installation

DIMENSIONS

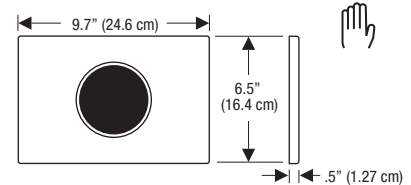
Sigma10 Single-Flush



Sigma10 Hands-Free, Dual-Flush with Manual Override



Sigma10 Hands-Free Dual-Flush



Single-Flush Actuators, Sigma 2x6 and 2x4 Installation

Style	Material	Finish	Model No.
Sigma10 [†]	Stainless	Matte Black, Polished Chrome Accent	115.758.14.5
		Matte White, Polished Chrome Accent	115.758.JT.5
		Matte White Coated, White Accent NEW!	115.758.01.5
		Matte Black Coated, Black Accent NEW!	115.758.16.5
		Brushed Stainless Steel, Polished Stainless Steel Accent	115.758.SN.5
		Brushed Stainless Steel, Polished Stainless Steel Accent Vandal Resistant	115.787.SN.5
	Plastic	Polished Chrome, Matte Chrome Accent	115.758.KH.5
		White, Polished Chrome Accent	115.758.KJ.5
		White, Polished Gold Accent	115.758.KK.5
		Black, Polished Chrome Accent	115.758.KM.5
		Matte Chrome, Polished Chrome Accent	115.758.JQ.5



[†] Intended for sales and use in California with 1.28 gpf (4.8 lpf) system only

Products marked with comply with the American Disabilities Act (ADA) when installed per the requirements of the latest ADA Accessibility Guidelines (ADAAG) and/or ICC/ANSI A117.1.



ARCHITECT/ENGINEER APPROVAL

Job Name: _____

Date: _____ Quantity: _____

Model Specified: _____

Variations Specified: _____

Customer/Wholesaler: _____

Contractor: _____

Architect: _____

GEBERIT SIGMA10 ACTUATORS

For Sigma Concealed Tanks, 2x6 and 2x4 Installations

Dual-Flush Hands-Free Actuators and Accessories,

Sigma 2x6 Installation

Style	Material	Finish	Model No.		
	Stainless	Brushed Stainless Steel, Polished Stainless Steel Accent, Vandal Resistant with manual override, mains AC 12V	115.890.SN.6		
		Matte Black Coated, Black Accent, Vandal Resistant with manual override, mains AC 12V NEW!	115.890.16.6		
		Black, Matte Black Accent Vandal Resistant with manual override, mains AC 12V NEW!	115.890.DW.6		
		Brushed Stainless Steel, Polished Stainless Steel Accent, Vandal Resistant (with manual override, battery 3V power)	115.891.SN.6		
		Matte Black Coated, Black Accent, Vandal Resistant (with manual override, battery 3V power) NEW!	115.891.16.6		
		Black, Matte Black Accent, Vandal Resistant (with manual override, battery 3V power) NEW!	115.891.DW.6		
		Sigma 10	Plastic	Polished Chrome, Matte Chrome Accent (Mains 12V)	115.907.KH.6
				White, Polished Chrome Accent (Mains 12V)	115.907.KJ.6
				White, Polished Gold Accent (Mains 12V)	115.907.KK.6
				Matte Black Coated, Black Accent (Mains 12V) NEW!	115.907.16.6
Black, Matte Black Accent (Mains 12V) NEW!	115.907.DW.6				
Matte Chrome Coated, Polished Chrome Accent (Mains 12V) NEW!	115.907.JQ.6				
Black, Polished Chrome Accent (Mains 12V)	115.907.KM.6				
Stainless	Brushed Stainless Steel, Polished Stainless Steel Accent (Mains 12V)			115.907.SN.6	
				Required Transformer with 12 VDC output for AC powered hands-free actuator (order separately)	115.861.00.6
	Optional accessory			244.094.00.1	
	1.8m cable power supply 12V (extension)				
Plastic	Polished Chrome, Matte Chrome Accent (Battery 3V)	115.908.KH.6			
		Matte Black Coated, Black Accent (Battery 3V) NEW!	115.908.16.6		
		Black, Matte Black Accent (Battery 3V) NEW!	115.908.DW.6		
		Matte Chrome Coated, Polished Chrome Accent (Battery 3V) NEW!	115.908.JQ.6		
		White, Polished Chrome Accent (Battery 3V)	115.908.KJ.6		
		White, Polished Gold Accent (Battery 3V)	115.908.KK.6		
		Black, Polished Chrome Accent (Battery 3V)	115.908.KM.6		
		Stainless	Brushed Stainless Steel, Stainless Steel Accent (Battery 3V)	115.908.SN.6	

Dual-Flush Hands-Free Actuators and Accessories,

Sigma 2x4 Installation

	Stainless	Brushed Stainless Steel, Polished Stainless Steel Accent, Vandal Resistant with manual override, mains AC 12V	115.856.SN.6
		Matte Black Coated, Black Accent, Vandal Resistant (with manual override, mains AC 12V) NEW!	115.856.16.6
		Black, Matte Black Accent, Vandal Resistant (with manual override, mains AC 12V) NEW!	115.856.DW.6
		Required Transformer with 12 VDC output for AC powered hands-free actuator (order separately)	115.861.00.6
		Optional accessory	244.094.00.1
		1.8m cable power supply 12V (extension)	
	Remote Programming Accessory for Hands-Free Actuators		
		"Service Handy" remote programming device for Geberit touch-free devices	115.860.00.1

PLEASE NOTE
Many model numbers have changed since September 1, 2022.
See cross-reference table below for information.

IMPORTANT!
New mains AC versions (12V) must be combined with new model accessory transformer (12V) and will not work with older transformer (3-4.1V).

If you specified this...	...now specify this
115.861.00.1	115.861.00.6
115.856.SN.1	115.856.SN.6
115.890.SN.5	115.890.SN.6
115.891.SN.5	115.891.SN.6
115.907.KH.1	115.907.KH.6
115.907.KJ.1	115.907.KJ.6
115.907.KK.1	115.907.KK.6
115.907.KL.1	115.907.JQ.6
115.907.KM.1	115.907.KM.6
115.907.KN.1	115.907.JQ.6
115.907.SN.1	115.907.SN.6
115.908.KH.1	115.908.KH.6
115.908.KJ.1	115.908.KJ.6
115.908.KK.1	115.908.KK.6
115.908.KL.1	115.908.JQ.6
115.908.KM.1	115.908.KM.6
115.908.KN.1	115.908.JQ.6
115.908.SN.1	115.908.SN.6
CR115-6SN1	None
CR115-7KH1	None
CR115-7KJ1	None
CR115-7KK1	None
CR115-7KL1	None
CR115-7KM1	None
CR115-7KN1	None
CR115-7SN1	None
CR115-8KH1	None
CR115-8KJ1	None
CR115-8KK1	None
CR115-8KL1	None
CR115-8KM1	None
CR115-8KN1	None
CR115-8SN1	None

Products marked with this symbol are compatible with the Geberit Control App. See note on the last page.

* Intended for sales and use in California with 1.28 gpf (4.8 lpf) system only

GEBERIT SIGMA10 ACTUATORS

For Sigma Concealed Tanks, 2x6 and 2x4 Installations

HANDS-FREE APPLICATION

- For automatic, "hands free" sensing and flush actuation, in hygienic or ADA compliant applications
- For public or residential spaces
- For low consumption toilets. Dual-flush volumes of 1.6 GPF (6 LPF) and 0.8 GPF (3 LPF) or 1.28 GPF (4.8 LPF) and 0.8 GPF (3 LPF)

HANDS-FREE SPECIFICATIONS

- Stainless steel – Brushed stainless steel
- Detection distance: up to 24 in (60 cm)
- Automatic hygiene flush: 24 h after last flush cycle
- Operating voltage: Battery units: 3 VDC Mains units: 12 VDC***
- For mains power, current draw is less than 1.5 amps. Recommended minimum wire size AWG 20 or as required by local code.
- User detection time: 7 s
- Manual actuation force < 4.5 lbf (20 N)

HANDS-FREE SCOPE OF SUPPLY

- Cover plate with infrared window (replaceable)
- Infrared control, premounted on fixation frame
- Servo motor, premounted to lifter mechanism
- Fastening material
- Battery box and 2x, 1.5 V (LR20, "D" cell)
- 120 V 60 Hz or 230 V 50 Hz providing 12 VDC transformer not included. Required accessory 115.861.00.6.**

COMMUNICATION

- Device settings and operation with iOS or Android smart phones via integrated Bluetooth® interface
- Compatible with Geberit Control App
- Service agreement required to enable app features
- Operation is independent of app enablement, i.e. app signup not required
- Functions can also be set and queried with the Geberit Service Handy 115.860.00.1
- Some functions may be hand programmed

Geberit
2100 S. Clearwater Drive
Des Plaines, IL 60018
USA

P 847-803-7777
F 847-849-1845

www.geberit.us

HANDS-FREE FEATURES

- Proven infrared triangulation detection method with background fade-out and auto-calibration to environment
- Low noise servo motor actuates existing gravity flush valve. Motor auto-calibrates to adjust for installation tolerances
- Includes manual override button
- Low battery" warning (2-stage: flashing LED when battery starts to go low; continuous red light when cannot flush)*
- Dynamic flushing time reduction during periods of high traffic to reduce water consumption
- Vandal resistant stainless steel cover plate and independent sensor electronics to prevent tampering
- Pre-installed electrical connectors with cross-polarity protection (one-way connection)
- Battery change can be performed without turning off water*

FUNCTIONAL PRINCIPLE

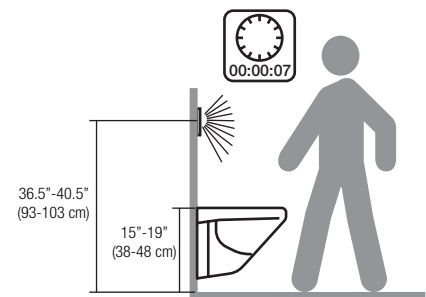
Several IR sensors are located behind the actuator plate of the WC flush control. These sensors scan different detection ranges.

The user detection range (1) measures whether a user is sitting or standing in front of the WC flush control. If a sitting user is detected, manual flush actuation is deactivated. This prevents a flush from being inadvertently released if the user leans back during use.

If the user's hand crosses the boundary of the manual flush detection range (2), the WC flush control releases a partial or full flush. If the user's hand is held briefly in the detection range, the WC flush control releases a full flush. If the user's hand is held for an extended time in the detection range, the WC flush control releases a partial flush.

The proximity detection range (3) is active only in battery operation and is used for the purpose of energy saving. The user detection range is activated as soon as there is a change in this area.

* Battery version only.
** AC version only.
*** Prior generation power needs
Battery units: 3 VDC, Mains units: 4.1 VDC



Installing highly reflective surfaces (such as mirrors) in the immediate vicinity of the water closet flush control should be avoided, as these can lead to incorrect releases and malfunctions.

Geberit product is ADA compliant when fixture and actuator are installed at proper heights.

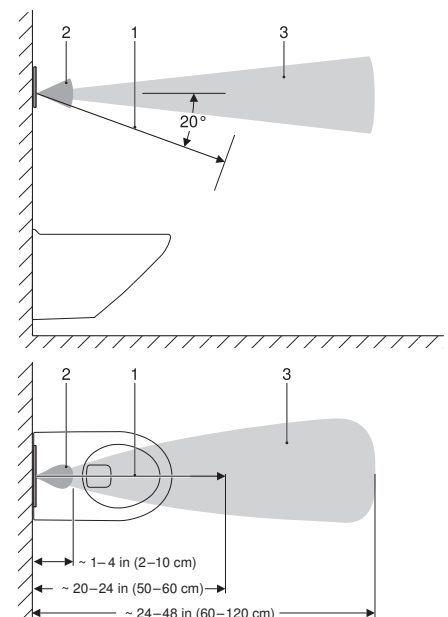


Figure 1: Detection ranges

- 1 User detection range
- 2 Manual flush detection range
- 3 Proximity detection range

NOTE: Partitions and walls must be installed so that they do not obstruct the detection zone. Compartment doors must not open into or interfere with the detection zone.

